



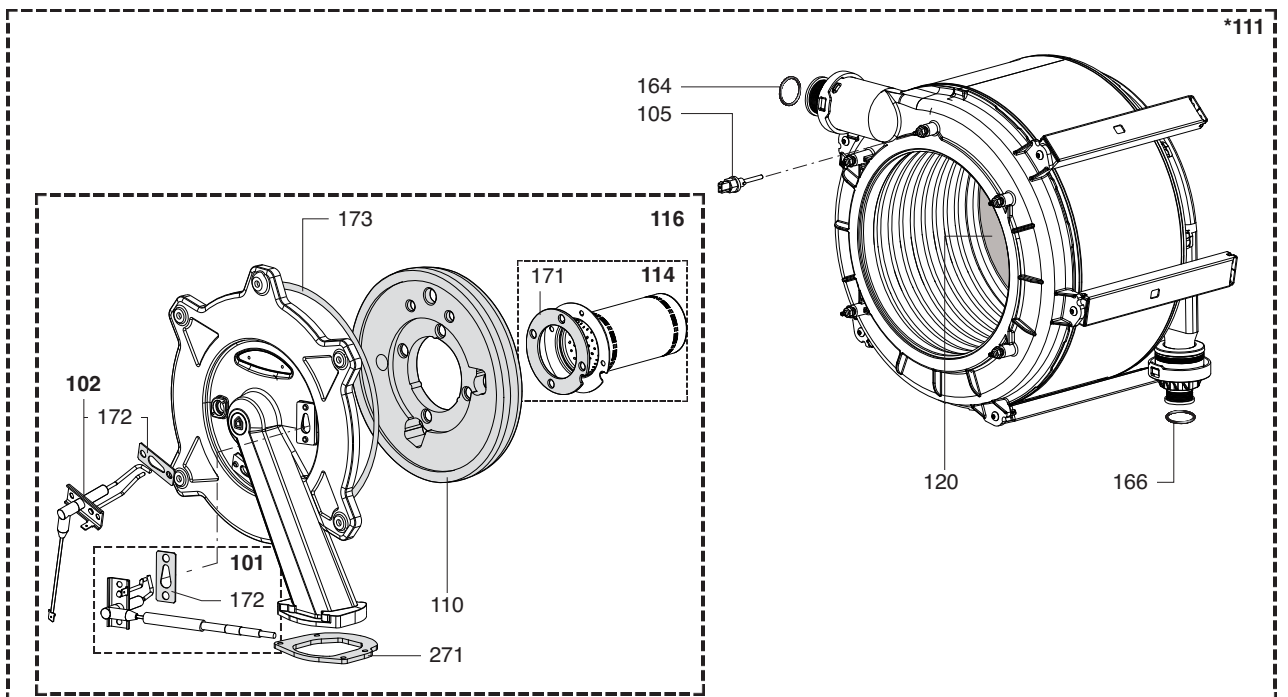
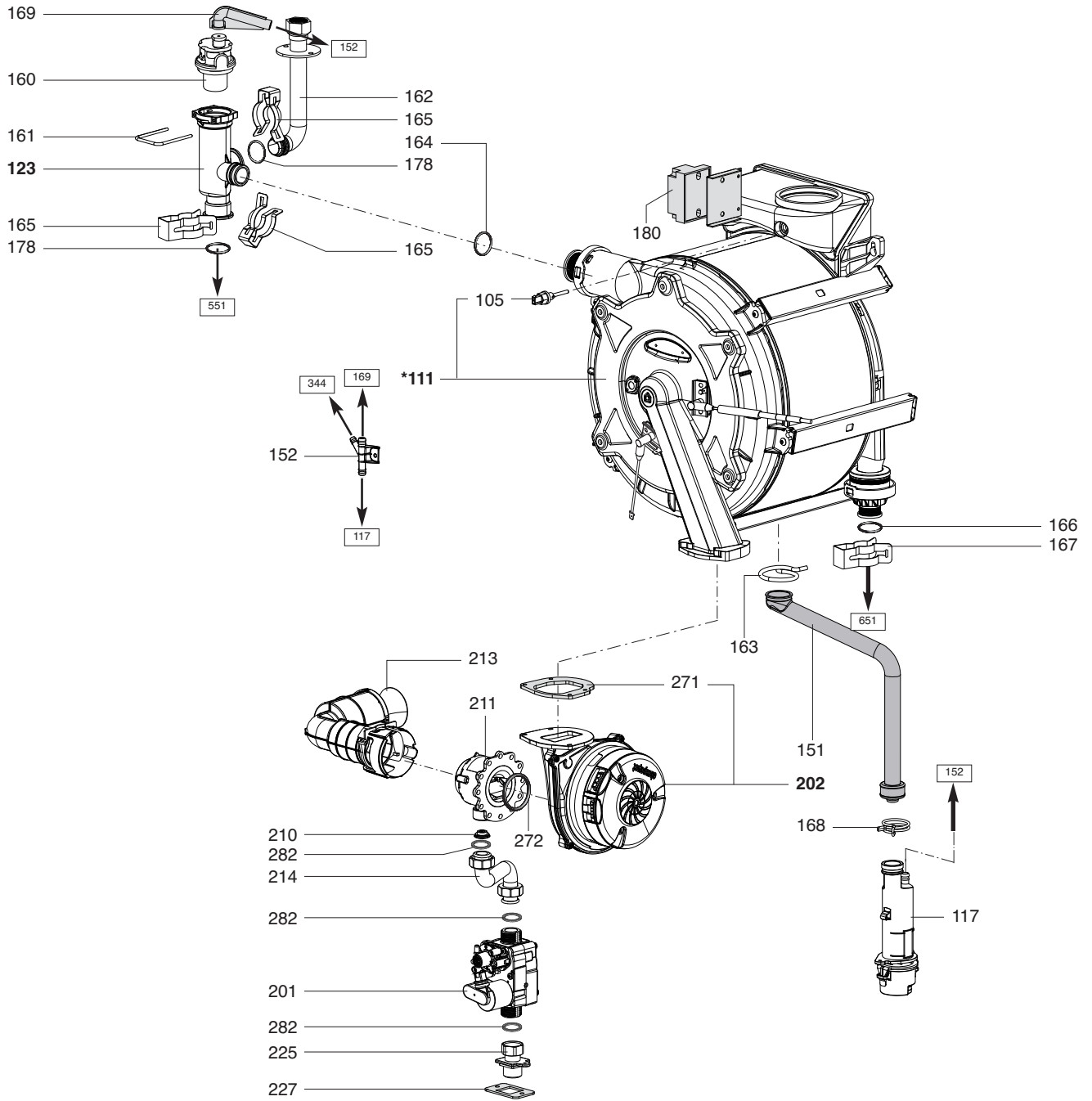
SPARE PARTS EXPLODED VIEW
GAS-WALL CONDENSING BOILERS
Model
TRX 150, TRX 199, TRX 199C

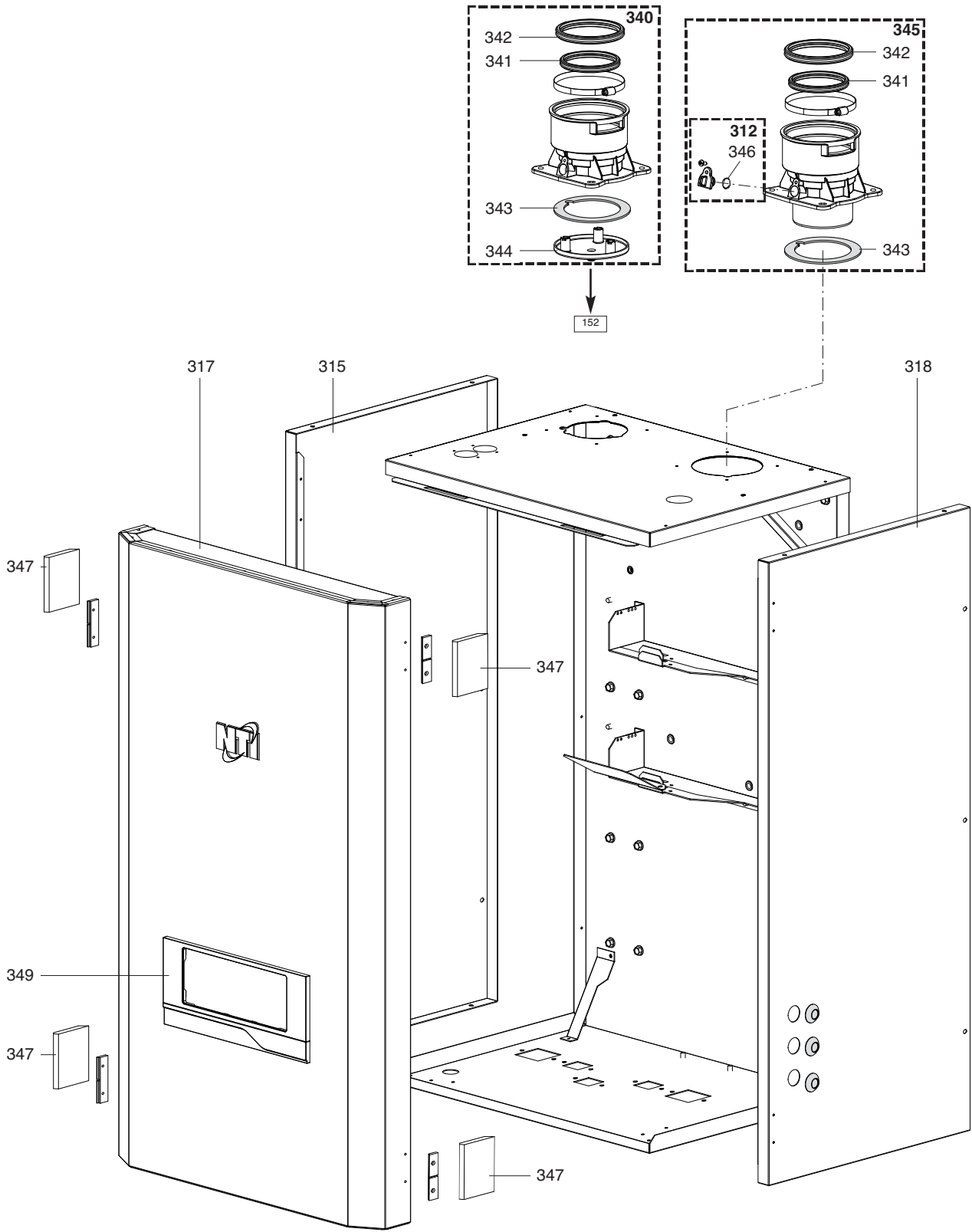
R8218511-02 - 20/01/2022

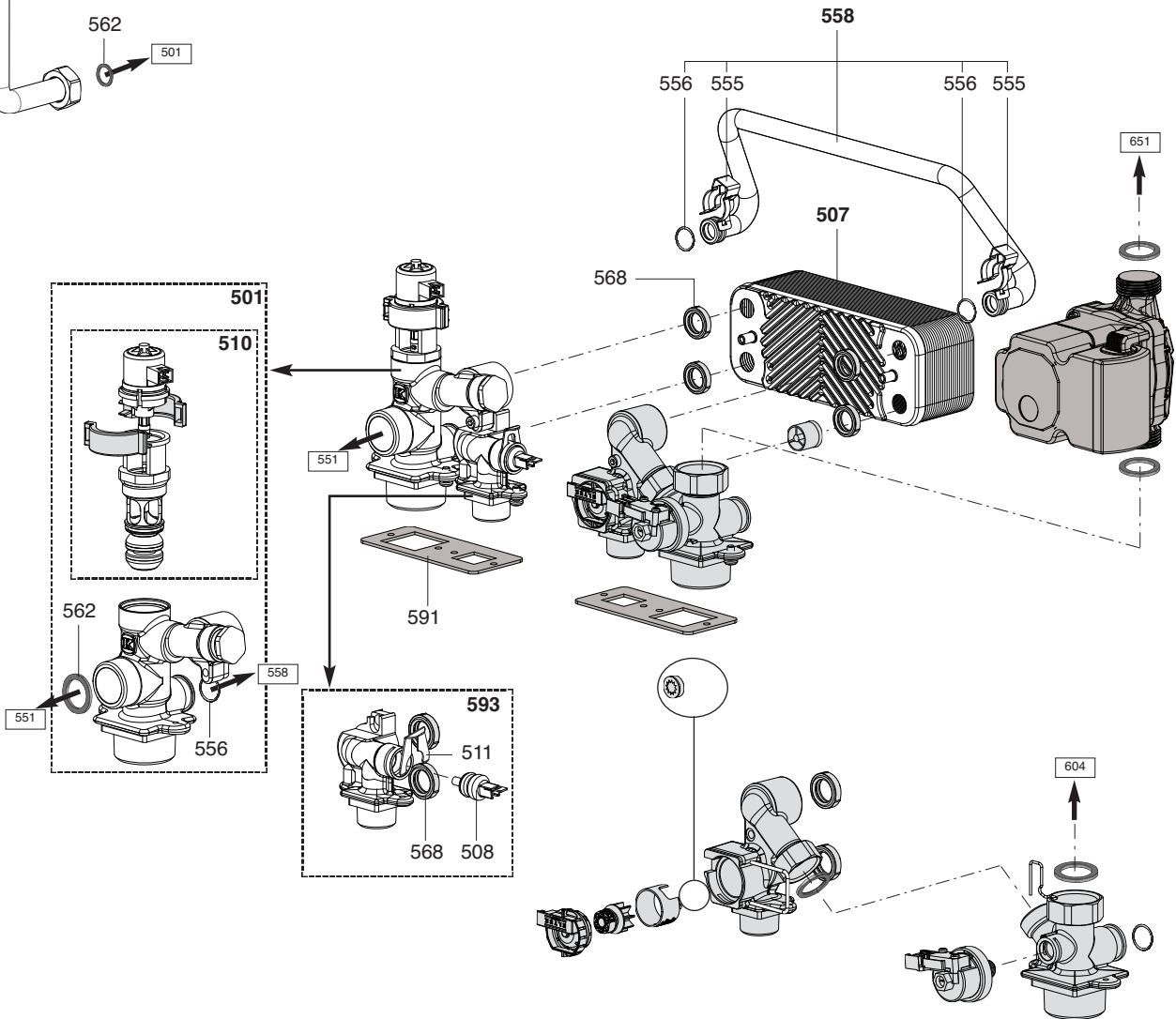
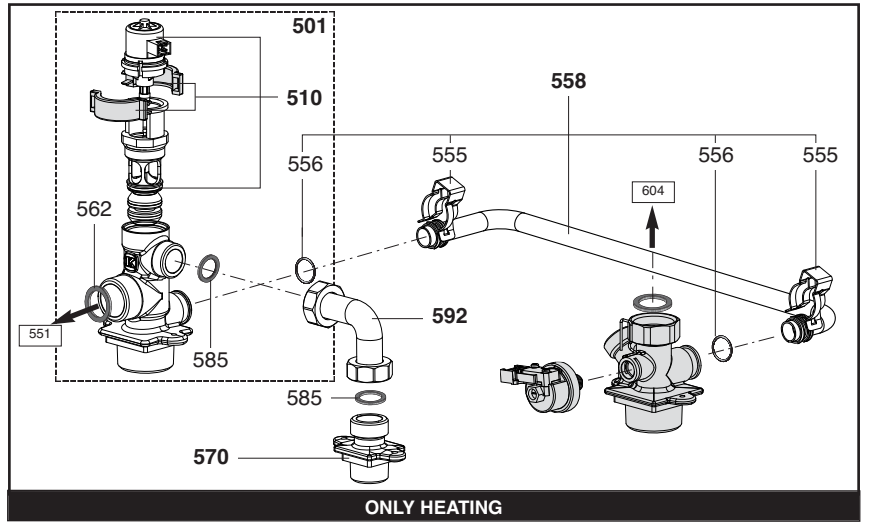
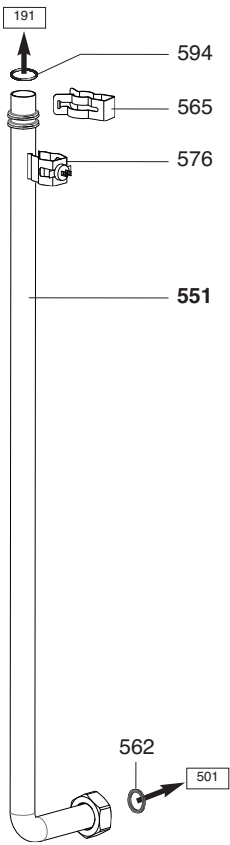
TRX150, TRX199, TRX199C

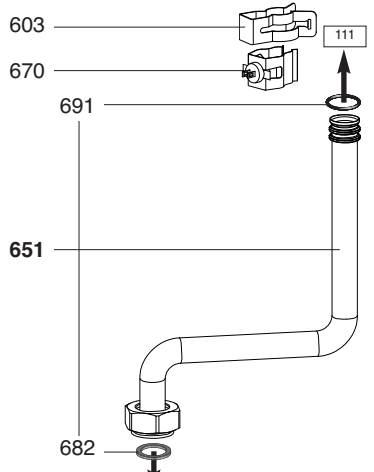
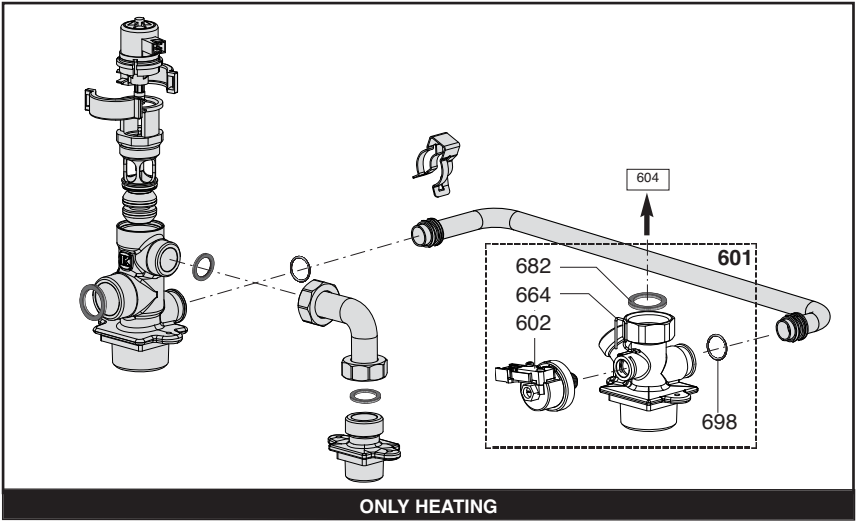
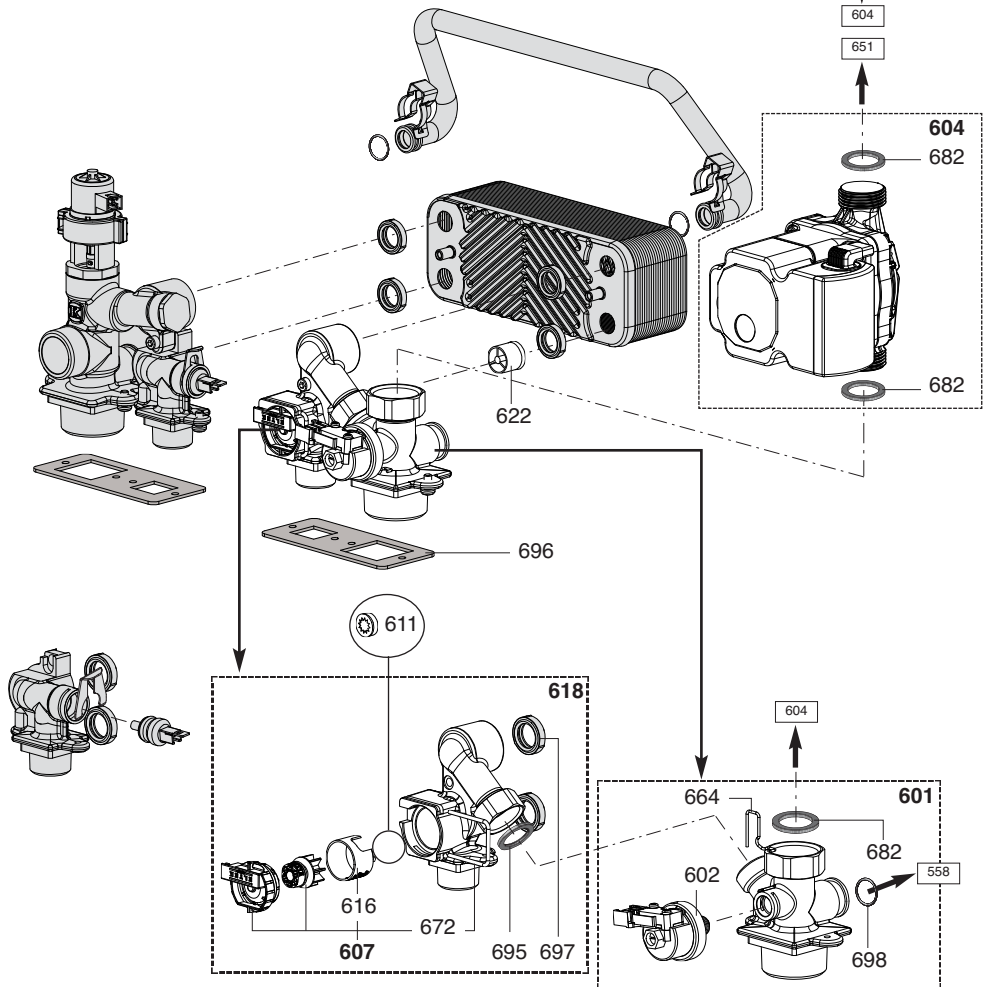
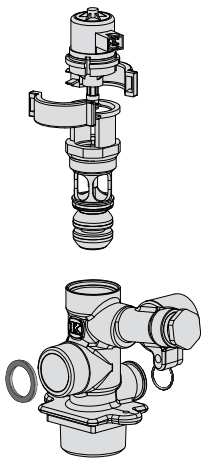
Gas-wall condensing boilers

1	0TRX150	TRX150	08-2020	-
2	0TRX199	TRX199	08-2020	-
3	0TRX199C	TRX199C	08-2020	-
Col	Reference	Model type	Begin	End





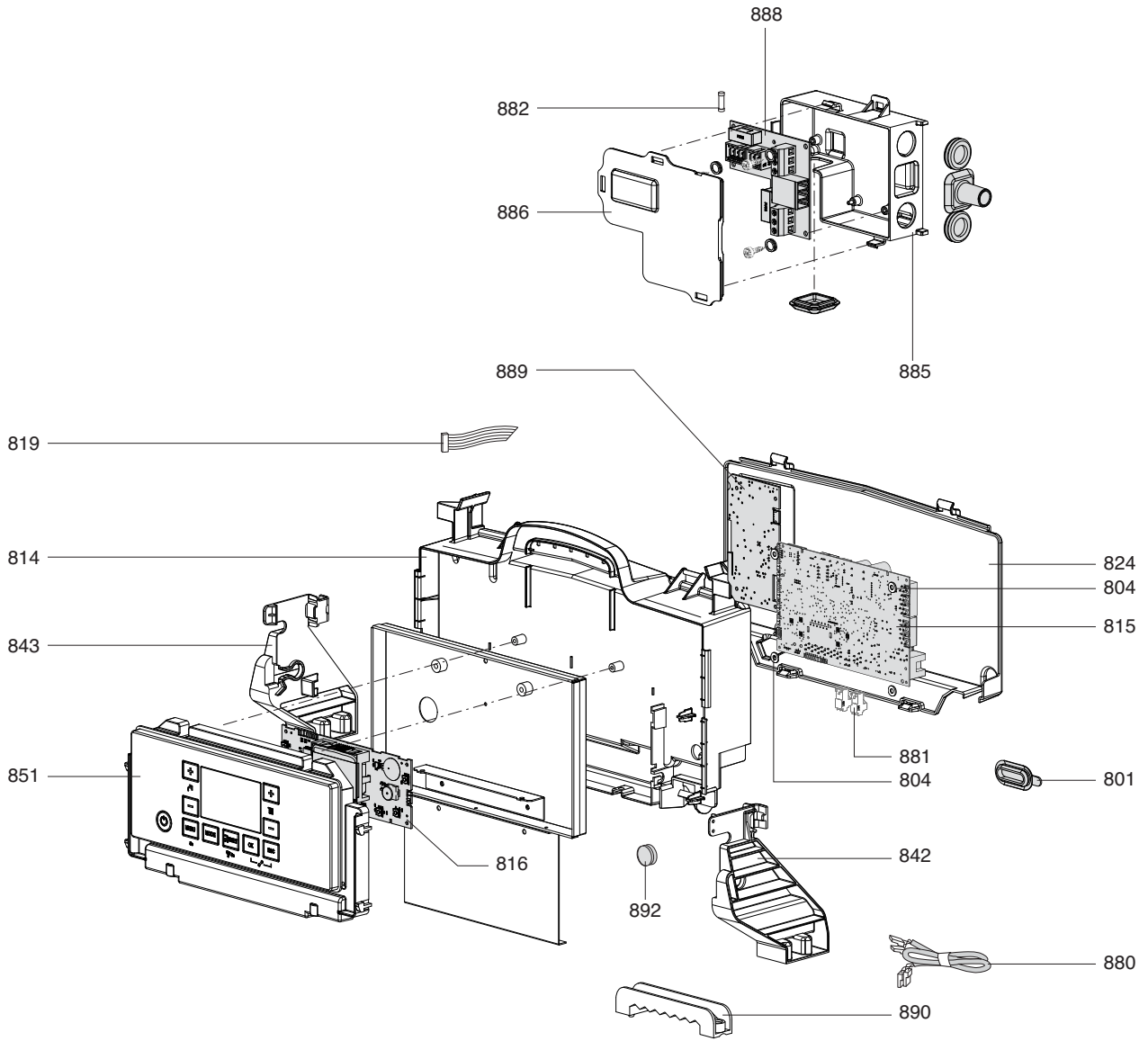




☉⇒	Description	Manf. Pt. N	Type	<div style="display: flex; justify-content: space-between; align-items: center;"> <div style="transform: rotate(-45deg); font-size: small;"> TRX150 TRX199 TRX199C </div> <div style="border: 1px solid black; padding: 2px;"> 31 </div> </div>																		From	to
				1	2	3	4	5	6	7	8	9	10	11	12	13	14	15	16	17	18		
0600	RETURN GROUP																						
0601	GROUP (PUMP)	64980183		•	•																		
	GROUP (PUMP-COMBI)	64980221				•																	
0602	LOW PRESSURE SWITCH	65118663		•	•	•																	
0603	CLIP	60000309		•	•	•																	
0604	PUMP ES2 3VK 63-7C-C US VER STEP2	64980191		•	•	•																	
0607	FLOW METER	64980195					•																
0611	DHW FLOW RESTRICTORS (KIT)	64980196					•																
0616	DHW FILTER	64980266					•																
0618	GROUP (COLD WATER INLET)	64980220					•																
0622	BY-PASS	64980204		•	•	•																	
0651	PIPE (C.H. RETURN)	64980153		•	•	•																	
0664	CLIP	65104322		•	•	•																	
0670	TEMPERATURE PROBE + CLIP	990686-01		•	•																		
0672	CLIP (FLOW METER)	64980200					•																
0682	GASKET (PUMP)	64980157		•	•	•																	
0691	O-RING 18X2,8	65116846		•	•	•																	
0695	GASKET 3/4 in 24x15x2	64980201					•																
0696	GASKET (HYDROBLOCK)	64980250		•	•	•																	
0697	EXCHANGER GASKET	65114928					•																
0698	O-RING 13.95 X 2.62	64980202					•																

TRX150, TRX199, TRX199C

Gas-wall condensing boilers

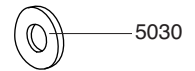
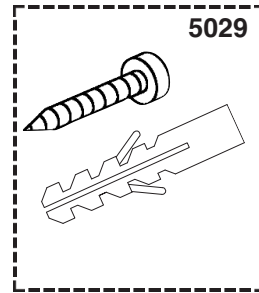
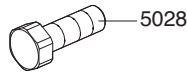
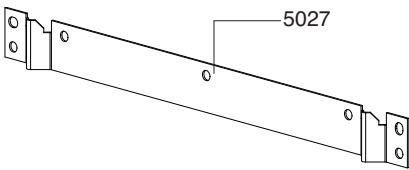
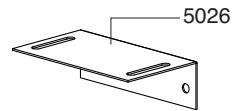
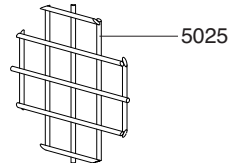
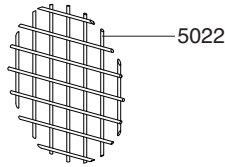
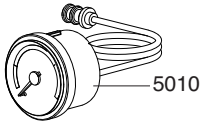
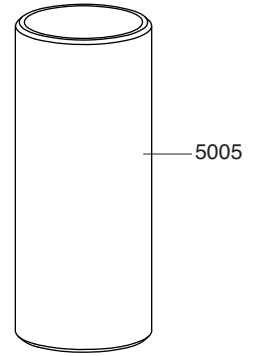
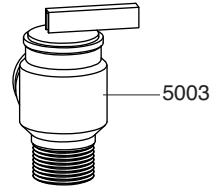
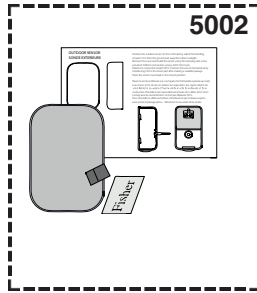
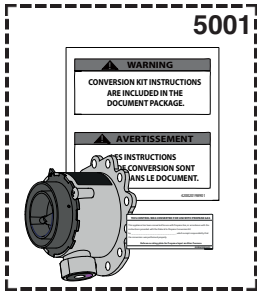


☉⇒	Description	Manf. Pt. N	Type	<div style="display: flex; justify-content: space-between; align-items: center;"> <div style="transform: rotate(-45deg); font-size: small;"> TRX150 TRX199 TRX199C </div> <div style="border: 1px solid black; padding: 2px;"> 31 </div> </div>																		From	to
				1	2	3	4	5	6	7	8	9	10	11	12	13	14	15	16	17	18		
0800	ELECTRICAL BOX																						
0801	GROMMET (PCD TOOL ACCESS)	998382		•	•	•																	
0804	WASHER	65112054		•	•	•																	
0814	CONTROL PANEL BASE	64980075		•	•	•																	
0815	P.C.B. (MAIN)	64980224		•	•	•																	
0816	P.C.B. (DISPLAY)	64980225-01		•	•	•																	
0819	WIRING (WI-FI BOARD)	65121202		•	•	•																	
0824	CONTROL PANEL COVER	64980076		•	•	•																	
0842	CONTROL PANEL HINGE (R.H.Side)	64980234		•	•	•																	
0843	CONTROL PANEL HINGE (L.H.Side)	64980235		•	•	•																	
0851	CONTROL PANEL	65119087		•	•	•																	
0880	3-WAY VALVE CABLE	64980078					•																
	3-WAY VALVE CABLE	65118657					•	•															
	BLOWER POWER PIGTAIL (NRG118 TO NRG 128)	64980249					•	•															
	CABLE (BOILER POWER SUPPLY)	64980248		•		•																	
	CABLE (DETECTION ELECTRODE)	65118654		•	•	•																	
	CABLE (FAN-POWER SUPPLY)	65118655		•	•	•																	
	CABLE (FUME PROBE)	64980081		•	•	•																	
	CABLE (PUMP 5M PWM TACO)	65118695		•	•	•																	
	CABLE (PWM)	64980079		•	•	•																	
	CABLE (SPARK GENERATOR)	64980080		•	•	•																	
	DISPLAY WIRING	64980077		•	•	•																	
	GAS VALVE CABLE	65118652		•	•	•																	
	WIRING (PUMP+JUN.BOX+MAIN BOARD)	64980085		•	•	•																	
0881	CONNECTOR 2P	65111933		•	•	•																	
0882	FUSE 5X20 RIT. 5 A 250V	65119782		•		•																	
0885	JUNCTION BOX BASE	65118661		•	•	•																	
0886	JUNCTION BOX COVER	65118662		•	•	•																	
0888	P.C.B. (JUNCTION BOX)	65118660		•	•	•																	
0889	P.C.B. (WIFI-REM4)	65120352-01		•	•	•																	
0890	CABLE CLAMP	65103377		•	•	•																	
0892	GROMMET 1 in	64980267		•	•	•																	

TRX150, TRX199, TRX199C

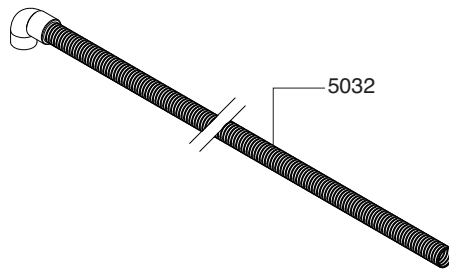
Gas-wall condensing boilers


5022



5031

Gas Vent Directly Below
Keep Free of Obstructions



		EN		DE		NL		
		FR		ES		IT		
0101	65118673	IGNITION ELECTRODE ELECTRODE ALLUMAGE		ZUNDELEKTRODE ELECTRODO DE ENCENDIDO		ELECTRODE ONTSTEEKING ELETTRODO D'ACCENSIONE		1
0102	64980115	ELECTRODE (DETECTION) ELECTRODE IONISATION		UBERWACHUNGSELEKTRODE ELECTRODO DE DETECCION		ELECTRODE IONISATIE ELETTRODO DI RILEVAZIONE		1
0105	65118667	FLUE PROBE 10K D4X39 SONDE FUMÉE 10K D4X39		RAUCHSONDE 10K D4X39 SONDA DE HUMO 10K D4X39		ROOK SENSOR SONDA FUMI 10K D4X39		1
0110	64980114	INSULATION (BURNER DOOR) PANNEAU ISOLEMENT		ISOLIERUNGSPANEEL PANEL AISLANTE		PANNEAU ISOLEMENT PANNELLO ISOLANTE		1
0111	64980086	HEAT EXCHANGER 45KW ECHANGEUR 45KW		AUSTAUSCHER 45KW INTERCAMBIADOR 45KW		WARMTEWISSELAAR 45KW SCAMBIATORE 45KW		1
	64980087	HEAT EXCHANGER 60KW ECHANGEUR 60KW		AUSTAUSCHER 60KW INTERCAMBIADOR 60KW		WARMTEWISSELAAR 60KW SCAMBIATORE 60KW		1
0114	64980116	BURNER 45KW BRULEUR 45KW		BRENNER 45KW QUEMADOR 45KW		BRANDER 45KW BRUCIATORE 45KW		1
	64980118	BURNER 60KW BRULEUR 60KW		BRENNER 60KW QUEMADOR 60KW		BRANDER 60KW BRUCIATORE 60KW		1
0116	64980112	DOOR ASSY PORTE EQUIPEE		FRONTABDECKUNG KOMPLETT PUERTA EQUIPADA		DEUR COMPLEET SPORTELLO COMPLETO		1
	64980117	DOOR ASSY PORTE EQUIPEE		FRONTABDECKUNG KOMPLETT PUERTA EQUIPADA		DEUR COMPLEET SPORTELLO COMPLETO		1
0117	64980193	CONDENSATE TRAP SIPHON		SIPHON SIFON ANTICONDENSACION		SIFON SIFONE SCARICO CONDENSA		1
0120	64980128	INSULATION (REAR) PANNEAU ISOLEMENT		ISOLIERUNGSPANEEL PANEL AISLANTE		PANNEAU ISOLEMENT PANNELLO ISOLANTE POSTERIORE		1
0123	64980147	FLOW OUT DEAERATOR ASSEMBLY ENSEMBLE DÉAÉRATEUR FLOW OUT		AUSLASS-ENTLÜFTUNGS-MONTAGE PURGADOR DE AIRE		STROMING MONTAGE VAN DEAERATOR VALVOLA SFIATO ARIA		1
0151	64980177	RUBBER CONDENSATE DRAIN PIPE TUYAU (VIDANGE DE CONDENSAT)		ROHR (KONDENSATABLAUF) TUBO (DRENAJE DE CONDENSADO)		PIJP (CONDENSAATAFVOER) TUBO SCARICO CONDENSA		1
0152	64980263	COUPLING Y HOSE CONNECTOR COUPLAGE ET CONNECT.DE TUYAU		KUPPLUNG DES SCHLAUCHANSCHL. CONECTOR DE ACOPL.TO Y MANG.		KOPPELING VAN DE SLANGCONNECTOR CONNETTORE TUBI Y		1
0160	65104683	AUTO AIR VENT WITH O-RING PURGEUR D'AIR AVEC O-RING		LUFTABLASSVENTIL + O-RING PURGADOR DE AIRE + OR		ONTLUCHTINGSKLEP MET O-RING VALVOLA SFOGO ARIA + O-RING		1
0161	64980149	CLIP CLIP		CLIP CLIP		KLEM CLIP		1
0162	64980180	PIPE (PRESSURE RELIEF VALVE) TUBE SOUPEPE DE SECURITE		SICHERHEITSENTILROHR TUBO VALVULA DE SEGURIDAD		BUIS VEILIGHEIDSKLEP TUBO VALVOLA DI SICUREZZA		1
0163	64980243	HOSE CLAMP B-1952 (1-1/2 in x 0.162 in) COLLIER DE TUYAU B-1952		SCHLAUCHKLEMME B-1952 ABRAZADERA DE MANGUERA		SLANGKLEM B-1952 (1-1/2 in x 0.162 in) CLAMP TUBO B-1952 (1-1/2 in x 0.162 in)		0
0164	64980265	O-RING SEAL 25,07x2,62 EPDM JOINT TORIQUE 25,07x2,62 EPDM		DICHTUNG O-RING 25,07x2,62 EPDM ANILLO O-RING 25,07x2,62 EPDM		O-RING SEAL 25,07x2,62 EPDM O-RING 25,07x2,62 EPDM		0
0165	64980179	CLIP CLIP		CLIP CLIP		KLEM CLIP		1
0166	65116846	O-RING 18X2,8 JOINT TORIQUE D: 18-2.8		O-RING D: 18-2.8 JUNTA TORICA D: 18-2.8		DICHTINGSRING D: 18-2.8 ANELLO OR D: 18-2.8		1
0167	60000309	CLIP CLIP		CLIP CLIP		KLEM CLIP		1
0168	60000533	HOSE CLAMP COLLIER SUR DURIT		SCHELLE AUF HARTGUMMIRING ABRAZADERA DURITE		KLEM MET RUBBER COLLARE SU FLESSIBILE		1
0169	64980245	SILICONE ELBOW COUDE SILICONE		SILIKON-ELLENBOGEN CODO DE SILICONA		SILICONE ELLEBOOG GOMITO SILICONE		1
0171	65116521	GASKET (BURNER) JOINT DE FORME		FORMDICHTUNG JUNTA		DICHTING GUARNIZIONE		1
0172	64980262	GASKET (ELECTRODE) JOINT ELECTRODE		DICHTUNG (ELEKTRODE) JUNTA (ELECTRODO)		DICHTING (ELEKTRODE) GUARNIZIONE ELETTRODO		1
0173	64980113	DOOR GASKET JOINT DE PORTE		TUERDICHTUNG JUNTA PUERTA		DICHTING SILICOON CORDA SILICONATA		1
0178	64980261	GASKET O-RING 21,82x3,53 JOINT TORIQUE 21,82x3,53		DICHTUNG O-RING 21,82x3,53 JUNTA TÓRICA 21,82x3,53		PAKKING O-RING 21,82x3,53 GUARNIZIONE O-RING 21,82x3,53		0
0180	65119323	SPARK GENERATOR TRANSFORMATEUR D'ALLUMAGE		ZUNDTRAFO ENCENDEDOR		ONTSTEEKINGSTRANSFORMATOR ACCENDITORE		1
0201	65118645	GAS VALVE VALVE GAZ		GASVENTIL VALVULA GAS		GASBLOK VALVOLA GAS		1
0202	64980119	FAN VENTILATEUR		LAUFRAD HELICE VENTILADOR		VENTILATOR VENTILATORE		1
	64980120	FAN VENTILATEUR		LAUFRAD HELICE VENTILADOR		VENTILATOR VENTILATORE		1
0210	60001940	GAS DIAPHRAGM D: 5.70 DIAPHRAGME GAZ D: 5.70		GASBLLENDE D:5.70 DIAFRAGMA GAS D: 5.70		DIAFRAGMA GAS D: 5.70 DIAFRAMMA GAS D: 5.70		1
0211	64980106	MIXER 150 LP WT MIXER 150 LP WT		MIXER 150 LP WT MIXER 150 LP WT		MIXER 150 LP WT MIXER 150 GPL WT		1
	64980108	MIXER 199-199C LP WT MIXER 199-199C LP WT		MIXER 199-199C LP WT MIXER 199-199C LP WT		MIXER 199-199C LP WT MIXER 199-199C GPL WT		1

		EN		DE		NL		
		FR		ES		IT		
	64980122	MIXER, 150 NG WT MIXER, 150 NG WT		MIXER, 150 NG WT MIXER, 150 NG WT		MIXER, 150 NG WT MIXER, 150 NG WT		1
	64980123	MIXER, 199-199C NG WT MIXER, 199-199C NG WT		MIXER, 199-199C NG WT MIXER, 199-199C NG WT		MIXER, 199-199C NG WT MIXER, 199-199C NG WT		1
0213	64980127	SILENCER SILENCIEUX		SCHALLDAMPFPE SILENCIADOR		SILENCER SILENZIATORE		1
0214	64980129	PIPE (GAS VALVE-VENTURI) TUYAU (VANNE DE GAZ-VENTURI)		ROHR (GASVENTIL-VENTURI) TUBO (VÁLVULA DE GAS-MIXER)		PIJP (GASKLEP-VENTURI) TUBO VALV.GAS-MIXER		1
	64980130	PIPE (GAS VALVE-VENTURI) TUYAU (VANNE DE GAZ-VENTURI)		ROHR (GASVENTIL-VENTURI) TUBO (VÁLVULA DE GAS-MIXER)		PIJP (GASKLEP-VENTURI) TUBO VALV.GAS-MIXER		1
0225	64980175	BRASS CONNECT.M 3/4 NPT-FREE NUT 3/4 RACCORD M 3/4 NPT-ECROU SANS 3/4		MESSINGANSCH.M 3/4 NPT CONEX.M 3/4 NPT-TUERCA LIBRE 3/4		AANSLUIT.M 3/4 NPT-VRIJE MOER 3/4 RACCORDO M 3/4NPT-3/4 G		1
0227	64980217	GASKET (GAS ADAPTER) JOINT (ADAPTATEUR GAZ)		DICHTUNG (GASADAPTER) JUNTA (ADAPTADOR DE GAS)		DICHTING (GASADAPTER) GUARNIZIONE ADATTATORE GAS		0
0271	64980239	FAN GASKET JOINT VENTILATEUR		DICHTUNG, GEBLASE JUNTA VENTILADOR		DICHTING VENTILATOR GUARNIZIONE VENTILATORE		0
	64980240	FAN GASKET JOINT VENTILATEUR		DICHTUNG, GEBLASE JUNTA VENTILADOR		DICHTING VENTILATOR GUARNIZIONE VENTILATORE		0
0272	60001878	O-RING 165 NBR 70 Sh 61.91x3,53 JOINT TORIQUE 165 NBR 70 Sh 61.9		O-RING 165 NBR 70 Sh 61.91x3,53 O-RING 165 NBR 70 Sh 61.91x3,53		O-RING 165 NBR 70 Sh 61.91x3,53 O-RING 165 NBR 70 Sh 61.91x3,53		1
0282	60022835-01	SHEET GASKET D: 24-18.2-1.5 JOINT PLAT D: 24-18.2-1.5		ICHT.SCHEIBE D: 24-18.2-1.5 JUNTA PLANA D: 24-18.2-1.5		DICHTING VLAK D. 24-18.2-1.5 GUARNI. PIANA D: 24-18.2-1.5		10
0312	64980209	FLUE TEST PORT PLUG BOUCHON DE PRISE FUMEE		STOPFEN ABGAS-U. TAPON TOMA HUMOS		STOP ROOKGASMEETNIPPELS TAPPO ANALISI FUMI + O-RING		1
0315	64980230	PANEL (LEFT-SIDE-GRAY-LARGE) PANNEAU (CÔTÉ GAUCHE GRIS-GRAND)		PANEL (LINKS SEITENGRAU-GROSS) PANEL (LADO IZRDO-GRIS-GRANDE)		PANEEL (LINKS ZIJ-GRIJS-GROOT) PANNELLO LATER.SX GRIGIO (GRANDE)		0
0317	64980232	FRONT PANEL+TOP+BOTTOM (GREY) PANNEAU AVANT+HAUT+BAS (GRIS)		VORDERE VERKL.+OBEN+UNTEN (GRAU) PANEL FRONT.+SUPER.+INFER.(GRIS)		VOORPANEEL + BOVEN + ONDER (GRIJS) PANNELLO FRONT.+TOP+FONDO GRIGI		0
0318	64980270	PANEL (RIGHT-SIDE-GRAY-LARGE) PANNEAU (CÔTÉ DROIT-GRIS-PETIT)		PANEL (RECHTE SEITENGRAU-KLEIN) PANEL (LADO DCHO-GRIS-PEQUEÑO)		PANEEL (RECHTERKANT-GRIJS-KLEIN) PANNELLO LAT.DX GRIGIO(GRANDE)		0
0340	64980206	ADAPTOR (AIR INLET) ADAPTATEUR D'ENTRÉE D'AIR		ADAPTER, LUFT EINGAANG ADAPTADOR DE ENTRADA DE AIRE		LUCHTINLAAT ADAPTER ADATTATORE INGRESSO ARIA		1
0341	64980237	SEAL GASKET OUTLET 80 JOINT DE SORTIE 80		DICHTUNGS AUSGANG 80 JUNTA DE SALIDA 80		PAKKING UITLAAT 80 GUARNIZIONE D80 USCITA FUMI		1
0342	64980207	GASKET D90 EPDM SH.A PEROX JOINT D90 EPDM SH.A PEROX		DICHTUNG D90 EPDM SH.A PEROX JUNTA D90 EPDM SH.A PEROX		DICHTING D90 EPDM SH.A PEROX GUARNIZIONE D90 EPDM SH.A PEROX		1
0343	64980208	FOAM FLUE GAS ADAPTOR MOUSSE ADAPTAT.DE GAZ DE FUMÉE		DICHTUNG ABGASBOGEN ESPUMA ADAPT.DE GASES DE GOMA		SCHUIMKANAALADAPTER GUARNIZIONE COLLETTORE FUMI		1
0344	64980233	TRAY CONDENS PLATEAU CONDENS		TABLETT KONDENSAT BANDEJA CONDENS		LADE CONDENS VASSOIO CONDENSA		1
0345	64980210	ADAPTOR (FLUE OUTLET) ADAPTATEUR, SORTIE DE FUMÉE		ADAPTER, RAUCH AUSGANG ADAPTADOR, SALIDA DE HUMO		ADAPTER, ROOKUITGANG ADATTATORE USCITA FUMI		1
0346	64980236	O-RING SEAL 2,7X8,9 EPDM PEROX 70 Sh. JOINT TORIQ.2,7X8,9 epdm perox 70sh.		DICHTUNG 2,7X8,9 EPDM PEROX 70 Sh. JUNTA TOR.2,7X8,9 epdm perox 70 sh.		D.RING 2,7X8,9 EPDM PEROX 70 Sh. O-RING 2,7X8,9 EPDM PEROX 70 Sh.		1
0347	64980238	DOOR LATCH FERMETURE DU PANNEAU		PANELSCHLIUSSUNG CIERRE DEL PANEL		PANEEL SLUITING CHIUSURA MANTELLO		0
0349	64980264	FACIA PLASTRON		EINSATZ PLASTRON		PLAAT PIASTRA		1
0501	64980182	GROUP (3 WAY VALVE-SYSTEM) GROUPE VALVE 3 VOIES-SYSTEM		GRUPPE (3-WEGE-VENTIL-SYSTEM) GRUPO VÁLVULA 3 VÍAS SYSTEM		GROEP (3 MANIEREN KLEP-SYSTEM) GRUPPO VALVOLA 3 VIE		1
	64980199	GROUP (3 WAY VALVE) GROUPE DE VANNES À 3 VOIES		GRUPPE (3-WEGE-VENTIL) GRUPO DE VÁLVULAS DE 3 VÍAS		GROEP (3-WEGS KLEP) GRUPPO VALVOLA 3 VIE		1
0505	65114936	MOTOR (3-WAY VALVE) MOTEUR VANNE 3 VOIES		3-WEGEVENTILMOTOR MOTOR DE VALVOLA DE TRES VIAS		MOTOR DRIEWEGKLEP MOTORE DI VALVOLA A 3 VIE		1
0507	64980203	SANITARY HEAT EXCHANGER (27 P.) ECHANGEUR SANITAIRE 27 PLAQUES		PLATTENWAERMETAUSCHER INTERCAMBIADOR SANITARIO 27		WARMTEWISSELAAR SANITAIR 27 PLATEN SCAMBIATORE SANITARIO 27 PIASTRE		1
0508	65104338-01	NTC PROBE SONDE NTC		FUHLER SONDA NTC		VOELER NTC SONDA NTC		1
0510	64980198	MOTOR + CARTRIDGE 3 WAY VALVE KIT KIT MOTEUR+CLAPET VANNE 3 VOIES		MOTOR VENTIL 3-WEGE KIT MOTOR+GRUPO 3 VÍAS DE VALV		MOTOR + KLEP - 3 WEGKLEP KIT MOTORE+OTTURAT VALV 3 VIE		1
0511	65104339	CLIP D:12 CLIP D:12		SICHERHEITSSPLINT D20 CLIP D:12		KLEM D:12 CLIP D:12		1
0551	64980151	PIPE (CH OUTLET-45KW) TUBE DEPART CHAUFFAGE 45KW		VORLAUFROHR 45KW TUBO ENVÍO 45KW		BUIS VERTREK VERWARMING 45KW TUBO MANDATA 45KW		1
	64980152	PIPE (CH OUTLET-60KW) TUBE DEPART CHAUFFAGE 60KW		VORLAUFROHR 60KW TUBO ENVÍO 60KW		BUIS VERTREK VERWARMING 60KW TUBO MANDATA 60KW		1
0555	64980186	CLIP (BY-PASS PIPE-SYSTEM) CLIP (TUYAU BY-PASS)		CLIP (BY-PASS-ROHR) CLIP TUBO BY-PASS		CLIP (BY-PASS BUIS) CLIP TUBO BY-PASS		1
0556	64980202	O-RING 13.95 X 2.62 JOINT TORIQUE D: 13.95 X 2.62		NDDICHTUNG D: 13.95 X 2.62 JUNTA TORICA D: 13.95 X 2.62		DICHTINGSRING D: 13.95 X 2.62 ANELLO OR 13.95 X 2.62		1
0558	64980187	BY-PASS PIPE TUBE BY-PASS		BYPASS-ROHR TUBO BY-PASS		BUIS BY-PASS TUBO BY-PASS		1

	XXXXXXXX	EN	DE	NL	X
		FR	ES	IT	
	64980197	BY-PASS PIPE TUBE BY-PASS	BYPASS-ROHR TUBO BY-PASS	BUIS BY-PASS TUBO BY-PASS	1
0562	64980157	GASKET (PUMP) JOINT POMPE	DICHTUNG PUMPE JUNTA BOMBA	AFDICHTING POMP GUARNIZIONE POMPA	1
0565	64980179	CLIP CLIP	CLIP CLIP	KLEM CLIP	1
0568	65114928	EXCHANGER GASKET JOINT ECHANGEUR	DICHTUNG WARMETAUSCHER JUNTA INTERCAMBIADOR	DICHTING WISSELAAR GUARNIZIONE SCAMBIATORE	5
0570	64980188	CONNECTION M 3/4 NPT - M 3/4 G RACCORD M 3/4 NPT - M 3/4 G	ANSCHLUSS M 3/4 NPT - M 3/4 G. CONEXIÓN M 3/4 NPT - M 3/4 G	AANSLUITING M 3/4 NPT - M 3/4 G RACCORDO M 3/4 NPT - M 3/4 G	1
0576	990686-01	TEMPERATURE PROBE + CLIP SONDE NTC + CLIPS KIT	NTC-SONDE MIT CLIPS KIT SONDA NTC + CLIPS KIT	VOELER NTC + KLEM KIT SONDA NTC + CLIPS KIT	1
0585	64980192	GASKET EPDM 5/8 in ID X 0.94 in OD JOINT EPDM 5/8 in ID X 0.94 in OD	DICHTUNG EPDM 5/8 in ID X 0.94 in OD JUNTA EPDM 5/8 in ID X 0.94 in OD	DICHTING EPDM 5/8 in ID X 0.94 in OD GUARNIZIONE EPDM 5/8 in ID X 0.94 in OD	1
0591	64980250	GASKET (HYDROBLOCK) JOINT HYDROBLOC	DICHTUNG (HYDROBLOCK) JUNTA (HIDROBLOQUE)	DICHTING (HYDROBLOCK) GUARNIZIONE GRUPPO IDRAULICO	0
0592	64980189	PIPE (CH OUTLET) TUBE DEPART CHAUFFAGE	VORLAUFROHR TUBO ENVÍO	BUIS VERTREK VERWARMING TUBO MANDATA	1
0593	64980194	GROUP (DHW OUTLET) HAUSWASSERAUSGANGSGRUPPE	HAUSWASSERAUSGANGSGRUPPE GRUPO SALIDA AGUA CAL.SANITARIA	GROEP (SHW OUTLET) GRUPPO USCITA ACQUA SANITARIA	1
0594	64980261	GASKET O-RING 21,82x3,53 JOINT TORIQUE 21,82x3,53	DICHTUNG O-RING 21,82x3,53 JUNTA TÓRICA 21,82x3,53	PAKKING O-RING 21,82x3,53 GUARNIZIONE O-RING 21,82x3,53	0
0601	64980183	GROUP (PUMP) GROUPE POMPE	PUMPENGRUPPE GRUPO DE BOMBA	GROEP (POMP) GRUPPO POMPA	1
	64980221	GROUP (PUMP-COMBI) GROUPE POMPE	PUMPENGRUPPE GRUPO DE BOMBA	GROEP (POMP) GRUPPO POMPA	1
0602	65118663	LOW PRESSURE SWITCH DETECTEUR DE PRESSION	DRUCKWAECHTER PRESOSTATO DE MÍNIMA	DRUKSCHAKELAAR MINIMUM PRESSOSTATO DI MINIMA	1
0603	60000309	CLIP CLIP	CLIP CLIP	KLEM CLIP	1
0604	64980191	PUMP ES2 3VK 63-7C-C US VER STEP2 POMPE ES2 3VK 63-7C-C US	PUMPE ES2 3VK 63-7C-C US BOMBA ES2 3VK 63-7C-C US	POMP ES2 3VK 63-7C-C US POMPA ES2 3VK 63-7C-C US	1
0607	64980195	FLOW METER CARTOUCHE DEBIMETRE KIT	UMSCHALTER HEIZUNG / SANITAR KIT OBTURADOR CALEF./SANITARIO	DEBIETMETER FLOW SWITCH SANITAIR FLUSSOSTATO SANITARIO	1
0611	64980196	DHW FLOW RESTRICTORS (KIT) LIMITEURS DE DEBIT KIT	TUELLESET REDUCTOR (KIT)	DEBIETBEGRENZER (KIT) LIMITATORI DI PORTATA (KIT)	1
0616	64980266	DHW FILTER FILTRE À EAU	WASSERFILTER FILTRO DE AGUA	WATER FILTER FILTRO ACQUA	1
0618	64980220	GROUP (COLD WATER INLET) GROUPE D'ENTRÉE D'EAU FROIDE	GRUPPE (KALTWASSER EINLASS) GRUPO DE ENTRADA DE AGUA FRÍA	INLAATGROEP KOUD WATER GRUPPO ENTRATA ACQUA FREDDA	1
0622	64980204	BY-PASS BY-PASS	BY-PASS BY-PASS	BY-PASS BY-PASS	1
0651	64980153	PIPE (C.H. RETURN) TUBE RETOUR CHAUFFAGE	RUCKLAUFROHR TUBO RETORNO INSTALACION	BUIS RETOUR VERWARMING TUBO RITORNO	1
0664	65104322	CLIP CLIP	KLAMMER PUMPE CLIP	KLEM CLIP	1
0670	990686-01	TEMPERATURE PROBE + CLIP SONDE NTC + CLIPS KIT	NTC-SONDE MIT CLIPS KIT SONDA NTC + CLIPS KIT	VOELER NTC + KLEM KIT SONDA NTC + CLIPS KIT	1
0672	64980200	CLIP (FLOW METER) CLIP INTERRUPTEUR DE DÉBIT	CLIP (DURCHFLOSSSCHALTER) CLIP INTERRUPTOR DE FLUJO	CLIP (STROOMSCHAKELAAR) CLIP FLUSSIMETRO	1
0682	64980157	GASKET (PUMP) JOINT POMPE	DICHTUNG PUMPE JUNTA BOMBA	AFDICHTING POMP GUARNIZIONE POMPA	1
0691	65116846	O-RING 18X2,8 JOINT TORIQUE D: 18-2.8	O-RING D: 18-2.8 JUNTA TORICA D: 18-2.8	DICHTINGSRING D: 18-2.8 ANELLO OR D: 18-2.8	1
0695	64980201	GASKET 3/4 in 24x15x2 JOINT 3/4 in 24x15x2	DICHTUNG 3/4 in 24x15x2 KIT - JUNTA 3/4 in 24x15x2	AFDICHTING 3/4 in 24x15x2 GUARNIZIONE 3/4 in 24x15x2	1
0696	64980250	GASKET (HYDROBLOCK) JOINT HYDROBLOC	DICHTUNG (HYDROBLOCK) JUNTA (HIDROBLOQUE)	DICHTING (HYDROBLOCK) GUARNIZIONE GRUPPO IDRAULICO	0
0697	65114928	EXCHANGER GASKET JOINT ECHANGEUR	DICHTUNG WARMETAUSCHER JUNTA INTERCAMBIADOR	DICHTING WISSELAAR GUARNIZIONE SCAMBIATORE	5
0698	64980202	O-RING 13.95 X 2.62 JOINT TORIQUE D: 13.95 X 2.62	DDICHTUNG D: 13.95 X 2.62 JUNTA TORICA D: 13.95 X 2.62	DICHTINGSRING D: 13.95 X 2.62 ANELLO OR 13.95 X 2.62	1
0801	998382	GROMMET (PCD TOOL ACCESS) JOINT ENTREE REGULATION	GUMMIABDECKUNG POTENTIOMETER JUNTA	DICHTING GOMMINO ACCESSO REGOLAZIONE	5
0804	65112054	WASHER RONDELLE	SCHEIBE ARANDELA	RONDEL RONDELLA	1
0814	64980075	CONTROL PANEL BASE PORTE INSTRUMENTS	INSTRUMENTENHALTER FRONTAL	BEHUIZING BEDIENINGSPANEEL PORTASTRUMENTI	1
0815	64980224	P.C.B. (MAIN) CIRCUIT IMPRIME PRINCIPAL	ELEKTROHAUPTPLATINE CIRCUITO PRINCIPAL	PRINTKAART SCHEDA PRINCIPALE	1
0816	64980225-01	P.C.B. (DISPLAY) CIRCUIT IMPRIME D'AFFICHAGE	DISPLAYPLATINE CIRCUITO DISPLAY	PRINT DISPLAY SCHEDA DISPLAY	1

		EN		DE		NL		
		FR		ES		IT		
0819	65121202	WIRING (WI-FI BOARD) CABLAGE (CIRCUIT WIFI)		WIRING (WI-FI BOARD) WIRING (FLAT- 4 WIRES) WIFI EVO2		ELEKTRISCHE BEDRADING (PRINT WIFI) CABLAGGIO A NASTRO 4 FILI WIFI EVO2		1
0824	64980076	CONTROL PANEL COVER COUVERCLE ARR.TABLEAU COMM.		RUCKWARTIGER DECKEL, FRONTBLLENDE TAPA POSTER.PANEL DE MANDOS		HOUDER STUURPRINT COPERCHIO BOX		1
0842	64980234	CONTROL PANEL HINGE (R.H.Side) SUPPORT (droit)		TRAGER SOPORTE		SUPPORT SUPPORTO DX		1
0843	64980235	CONTROL PANEL HINGE (L.H.Side) SUPPORT (gauche)		TRAGER SOPORTE		SUPPORT SUPPORTO SX		1
0851	65119087	CONTROL PANEL TABLEAU DE COMMANDE		FRONTBLLENDE FRONTAL		BEDIENINGSPANEEL FRONTALINO		1
0880	64980077	DISPLAY WIRING CABLAGE AFFICHEUR		DISPLAY VERBINDUNGSKABEL CABLEADO DISPLAY		DISPLAY WIRING CABLAGGIO DISPLAY		1
	64980078	3-WAY VALVE CABLE CABLAGE VANNE 3 VOIES		KABEL 3-WEGEVENTIL CABLEADO VALVULA DE TRES VIAS		BEDRADING DRIEWEG KLEP CABLAGGIO VALVOLA A 3 VIE		1
	64980079	CABLE (PWM) CABLAGE PWM		VERBINDUNG PWM CABLEADO PWM		Cablage PWM CABLAGGIO PWM		1
	64980080	CABLE (SPARK GENERATOR) CÂBLE (GÉNÉRATEUR D'ÉTINCELLES)		KABEL (ZUNDTrafo) CABLE (GENERADOR DE CHISPA)		KABEL (VONKENGEGENERATOR) CABLAGGIO ACCENDITORE		1
	64980081	CABLE (FUME PROBE) CABLE DE SONDÉ D'ÉCHAPPEMENT		ABGAS SONDE VERLÄNGERUNGSKABEL CABLE DE SONDÉ DE HUMO		VERLENGINGSKABEL ROOK SONDE CAVO SONDA FUMI		1
	64980085	WIRING (PUMP+JUN.BOX+MAIN BOARD) CABLE POMPE+JUN.BOX+CARTE EL.		ANSCH.KABEL PUMPE+JUN.BOX+ELEKTR.PL CABLE BOMBA+JUN.BOX+TARJETA EL.		BEDRADING POMP+JUN.BOX+EL.KARTE CAVO POMPA+JUN.BOX+SCHEDA PR.		1
	64980248	CABLE (BOILER POWER SUPPLY) CABLE (ALIMENT.DE LA CHAUDIERE)		KABEL (KESSEL-STROMVERSORGUNG) CABLE DE ALIMENT.DE LA CALDERA		KABEL (STROOMVOORZIENING) CAVO ALIMENTAZIONE CALDAIA		1
	64980249	BLOWER POWER PIGTAIL (NRG118 TO NRG 128) ADAPTAT.CABLE VENTILAT.(118->128)		KABEL (VENTILATOR-STROMVERSORG.) CABLE DE ALIMENT.DE VENTILADOR		VENTILATORKABELADAPT.(NRG118->NRG128) CAVO ADATTATORE VENTILATORE		1
	65118652	GAS VALVE CABLE CABLAGE VANNE GAZ		KABEL ZUNDER CABLEADO VALVULA GAS		BEDRADING GASBLOK CABLAGGIO VALVOLA GAS		1
	65118654	CABLE (DETECTION ELECTRODE) CABLAGE ELECTRODE IONISATION		IONISATIONSKABEL CABLE ELECTRODO DE DETECCION		CABLE (DETECTION ELECTRODE) CAVO ELETTRODO RILEVAZIONE		1
	65118655	CABLE (FAN-POWER SUPPLY) CABLE (ALIMENTATION DE VENTILAT.)		KABEL (VENTILATOR-STROMVERSORG.) CABLE DE ALIMENTACION DE VENTIL.		KABEL (FAN-VOEDING) CAVO ALIMENTAZIONE VENTILATORE		1
	65118657	3-WAY VALVE CABLE CABLAGE VANNE 3 VOIES		KABEL 3-WEGEVENTIL CABLEADO VALVULA DE TRES VIAS		BEDRADING DRIEWEG KLEP CABLAGGIO VALVOLA A 3 VIE		1
	65118695	CABLE (PUMP 5M PWM TACO) CABLE POMPE 5M PWM TACO		VERKABELUNG PUMPE 5M PWM TACO CABLEADO BOMBA 5M PWM TACO		BEDRADING POMP 5M PWM TACO CAVO POMPA 5M PWM TACO		1
0881	65111933	CONNECTOR 2P CONNECTEUR 2 POLES		STECKER 2 POL. RAST 5 CONECTOR 2P		STEKKER 2-POLIG CONNETTORE 2 POLI		5
0882	65119782	FUSE 5X20 RIT. 5 A 250V FUSIBLE 5X20 RIT. 5 A 250V		SICHERUNG 5X20 RIT. 5 A 250V FUSIBLE 5X20 RIT. 5 A 250V		ZEKERING 5X20 RIT. 5 A 250V FUSIBILE 5X20 RIT. 5 A 250V		1
0885	65118661	JUNCTION BOX BASE COUVERCLE FIXE (BOITE DE JONCT.)		FESTE ABDECKUNG (JUNKTIONSKASTEN) CUBIERTA FIJA (CAJA DE JUNTOS)		VASTE COVER (VERBINDINGSBOX) FONDO JUNCTION BOX		1
0886	65118662	JUNCTION BOX COVER COUVERCLE (BOITE DE JONCTION)		ABDECKUNG (JUNKTIONSKASTEN) CUBIERTA (CAJA DE JUNTOS)		DEKKING (JUNCTION BOX) COPERCHIO JUNCTION BOX		1
0888	65118660	P.C.B. (JUNCTION BOX) CIRCUIT CLIP-IN LOADS NA		LEITERPLATTE CLIP-IN LOADS NA CIRCUITO ELECTR.CLIP-IN LOADS NA		PRINTKAART (CLIP IN LOADS NA) SCHEDA CLIP-IN LOADS NA		1
0889	65120352-01	P.C.B. (WIFI-REM4) CIRCUIT IMPRIME REM 4		ELEKTROPLATINE (REM4) CIRCUITO REM4		PRINTKAART REM4 SCHEDA REM4		1
0890	65103377	CABLE CLAMP PASSE CABLE PRESSOSTAT		KABELKLEMME SUJETA-CABLE		KABELDOORVOER DRUKSCHAKELAAR PRESSACAVO		1
0892	64980267	GROMMET 1 in OUILLET 1 in		TÜLLE 1 in OJAL 1 in		DOORVOERTULE 1 in GOMMINO 1 in		0
5001	64980105	LP CONVERSION KIT 150 WT EQT TRANSF. G31 150 WT		FLUSSIGGAS-UMSTELLSET G31 150 WT KIT TRANSFORMACION G31 150 WT		OMBOUWSET G31 150 WT TRASFORMAZIONE G31 150 WT		1
	64980107	LP CONVERSION KIT 199-199C WT EQT TRANSF. G31 199-199C WT		F-GAS-UMSTELLSET G31 199-199C WT KIT TRANSFORM.G31 199-199C WT		OMBOUWSET G31 199-199C WT TRASFORMAZIONE G31 199-199C WT		1
5002	64980218	OUTDOOR SENSOR SONDE EXTERIEURE FILAIRE		AUSSENFUEHLER SONDA EXTERNA CON CABLES		BUITENVOELER SONDA ESTERNA CON CAVI		1
5003	65118683	PRESSURE RELIEF VALVE SOUPAPE DE SECURITE		SICHERHEITSENTIL VALVULA DE SEGURIDAD		VEILIGHEIDSGROEP VALVOLA DI SICUREZZA		1
5005	64980094	CPVC PIPE 3 in, SYSTEM 636, 5 in LONG TUYAU CPVC 3 in 636, 5 in LONG		CPVC-ROHR 3 IN, SYSTEM 636, 5 IN LANG TUBO DE CPVC DE 3 in, 636, 5 in LAR		CPVC-BUIJS 3 in, SYSTEEM 636, 5 in LANG TRONCHETTO CPVC 3 in L=5 in		0
5010	65118685	PRESSURE/TEMPERATURE GAUGE MANOMETRE / THERMOMETRE		THERMOHYDROMETER TERMOMANOMETRO		MANOMETER - THERMOMETER TERMOIDROMETRO		1
5022	64980091	WT150 INSTALLATION KIT BOX WT150 INSTALLATION KIT BOX		WT150 INSTALLATION KIT BOX WT150 INSTALLATION KIT BOX		WT150 INSTALLATION KIT BOX KIT INSTALLAZIONE WT150		0
	64980092	WT199(C) INSTALLATION KIT BOX WT199(C) INSTALLATION KIT BOX		WT199(C) INSTALLATION KIT BOX WT199(C) INSTALLATION KIT BOX		WT199(C) INSTALLATION KIT BOX KIT INSTALLAZIONE WT199(C)		0
5025	64980212	ROUND MESH, VENT SCREEN (3.375 in) MAILLE RONDE, ÉCRAN D'ÉVENT (3.375 in)		RUNDES MESH, ENTLÜFT.SBILDSCH.(3,375 in) MALLA RED., PANTAL.VENT.(3,375 in)		RONDE MESH, VENT-SCHERM (3.375 in) PROTEZIONE SCARICO FUMI (3,375 in)		0
5026	64980093	BRACKET (WALL MOUNT-BOTTOM) SUPPORT DE MONT.MURAL INFÉR.		UNTERE WANDHALTERUNG SOPORTE DE MONT.EN PARED INFER.		ONDERSTE MUURBEUGEL STAFFA D'AGGANCIO INFERIORE		0

IDENTIFICATION PLATE

SERIAL NUMBER

16 Characters :

