



# SPARE PARTS EXPLODED VIEW GAS-WALL CONDENSING BOILERS

Model

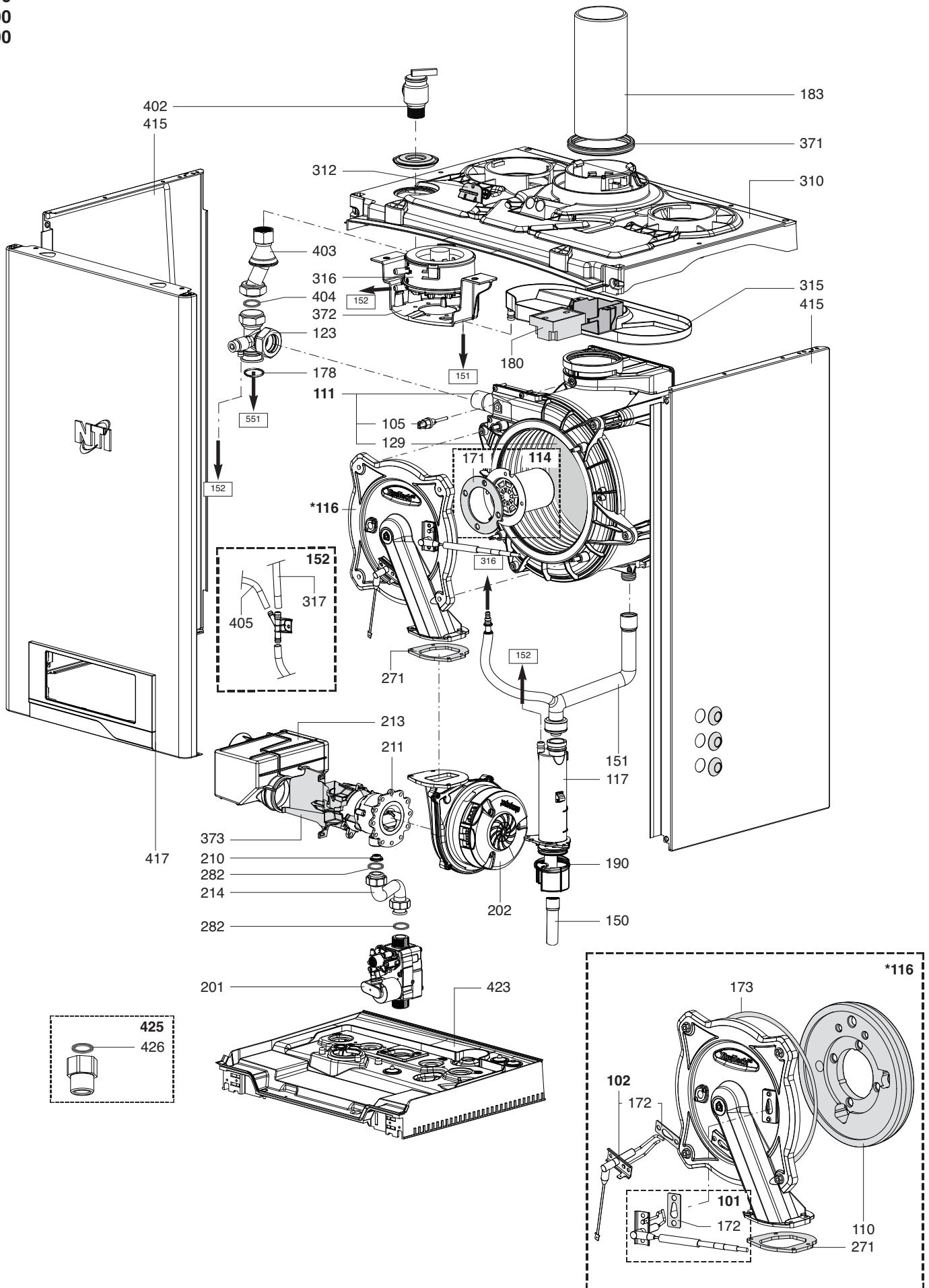
**TRX**

R8218345-07 - 20/01/2022

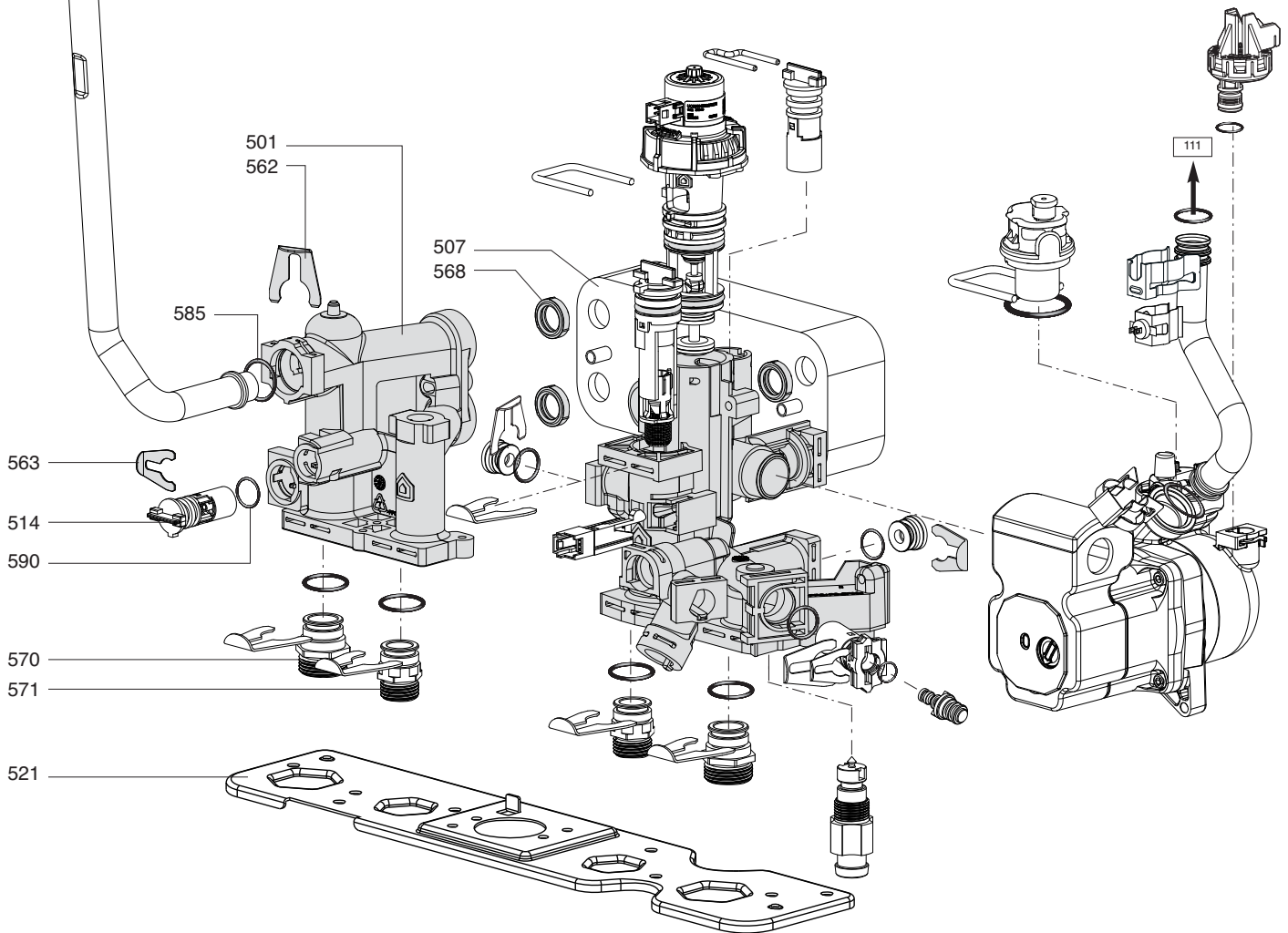
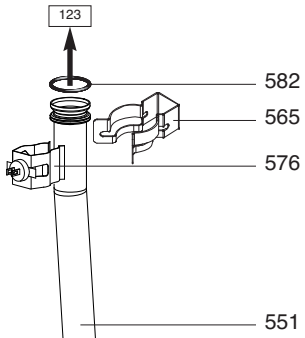
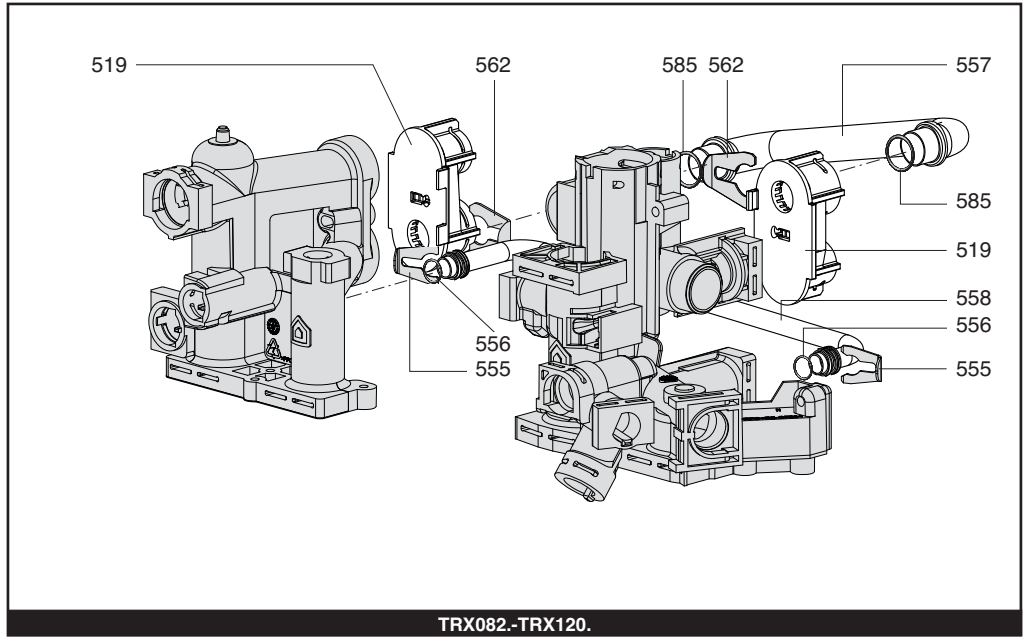
TRX

Gas-wall condensing boilers

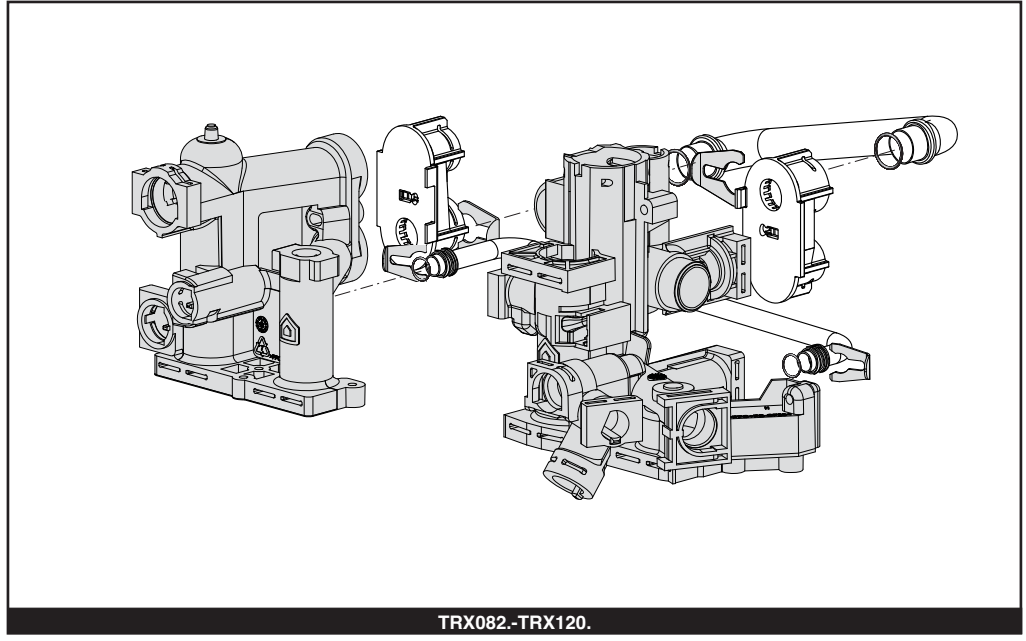
1	3314081	TRX120.	07-2019	-
2	3314082	TRX085.	07-2019	-
3	3314083	TRX150C.	07-2019	-
4	3314084	TRX110C.	07-2019	-
Col	Reference	Model type	Begin	End



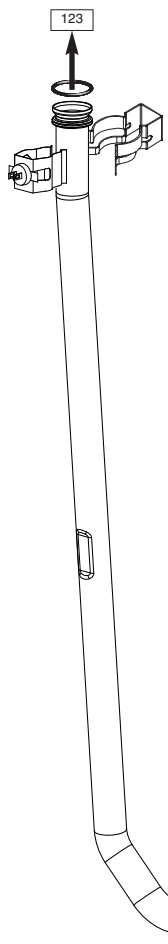




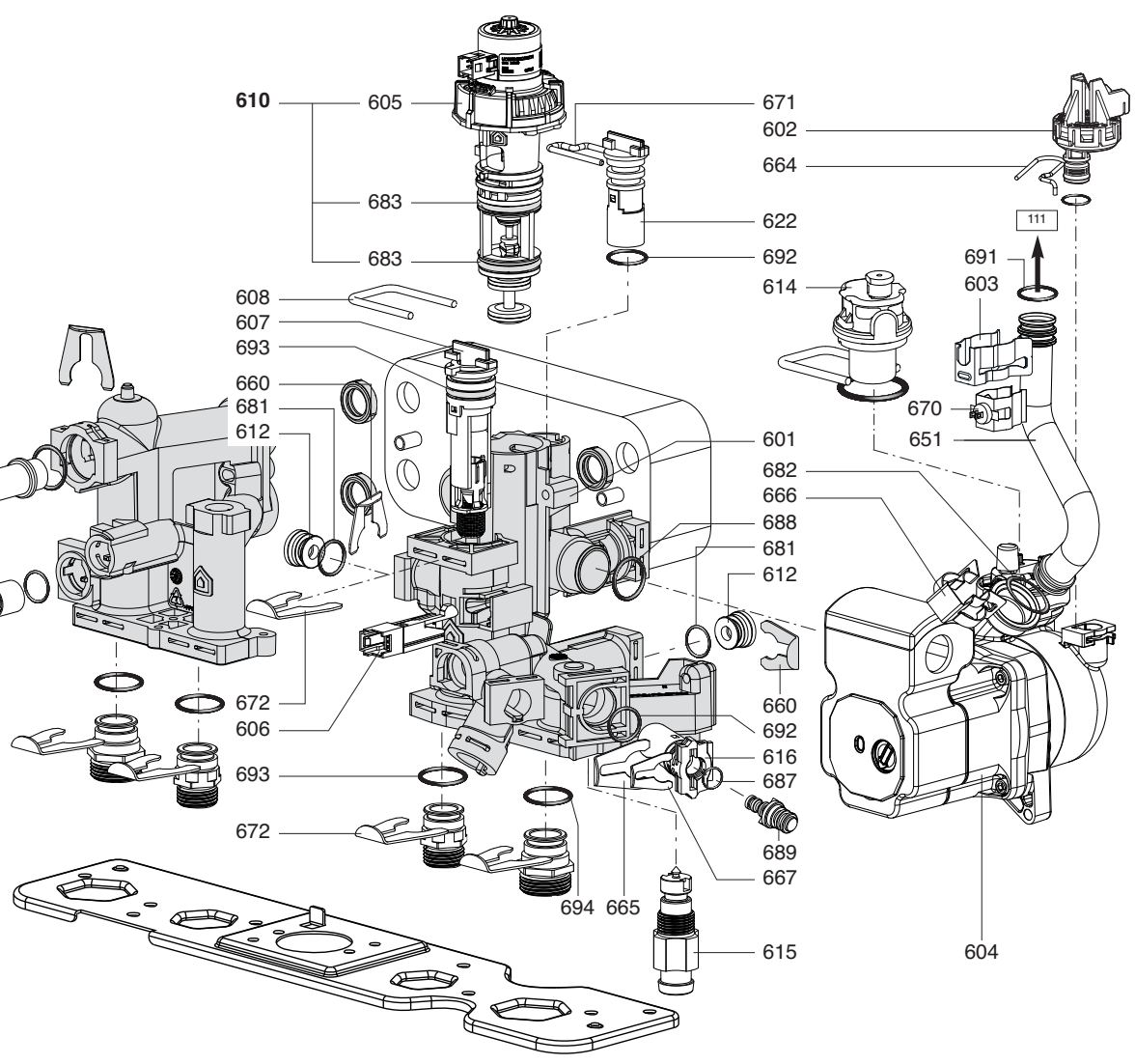




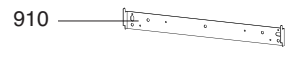
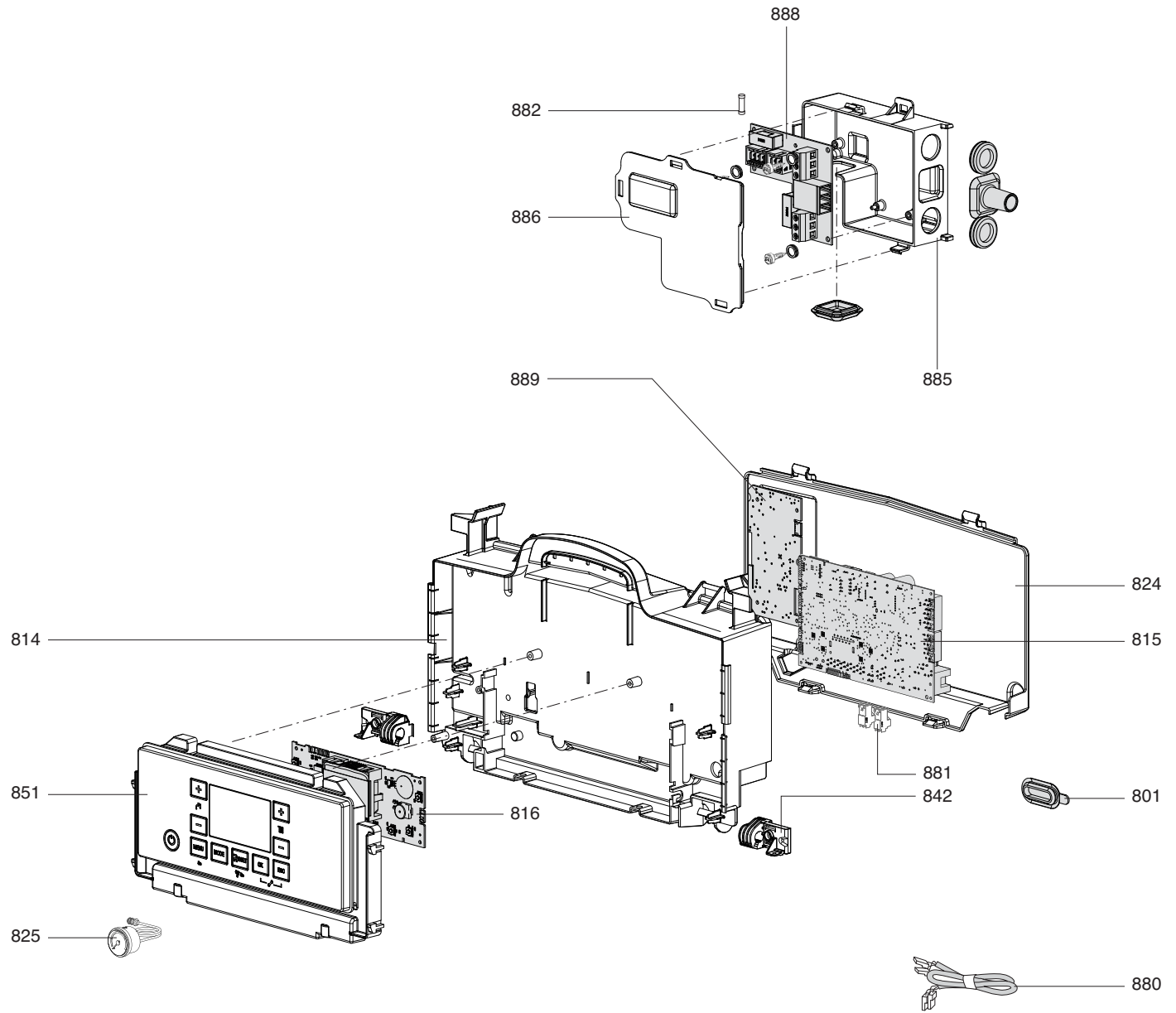
TRX082.-TRX120.



123

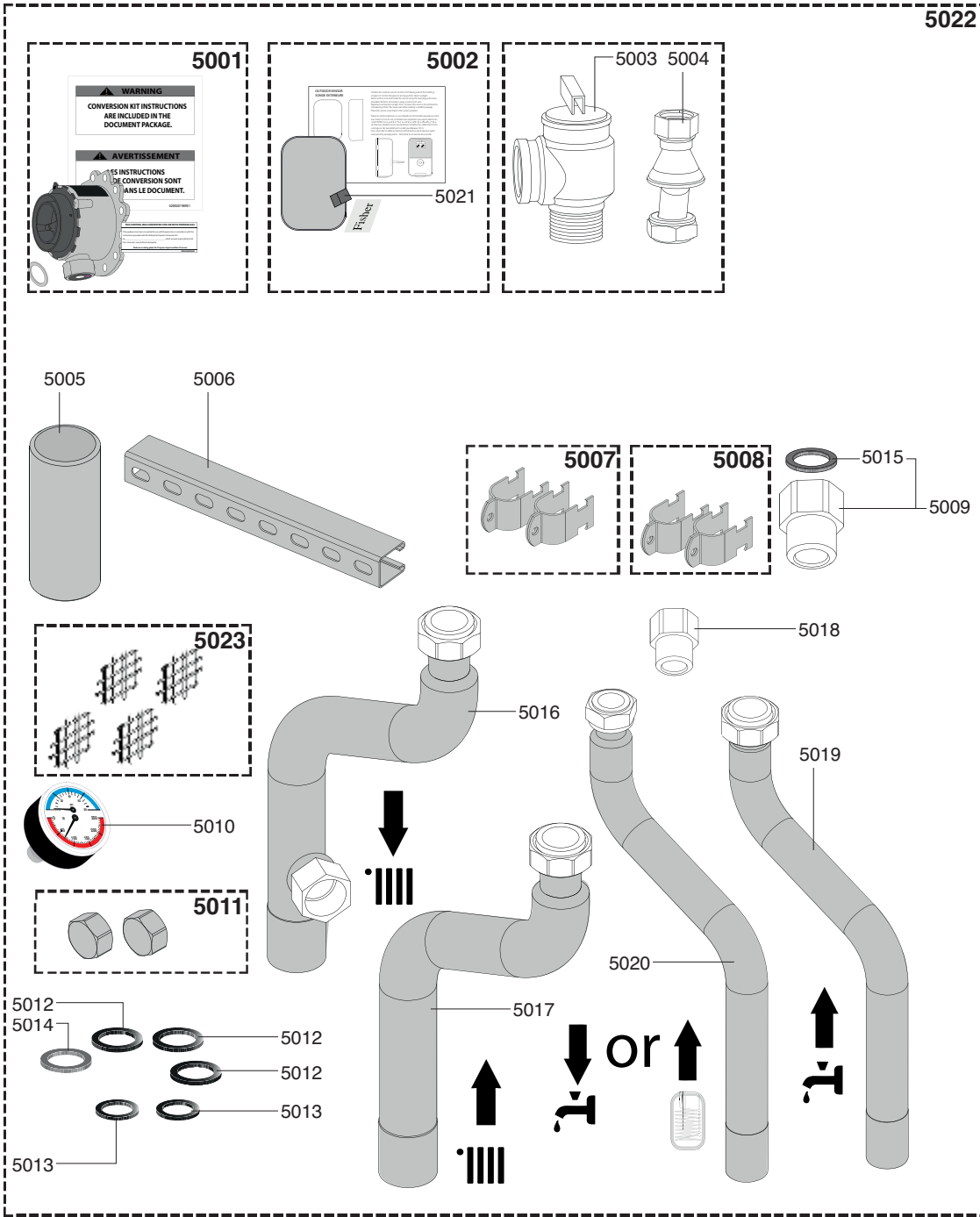












**5024**  
 Restrictors KIT  
 Limiteurs de debit (kit)  
 Reductor (kit)  
 Tuelleset  
 Limitatori di portata (kit)





		EN		DE		NL		
		FR		ES		IT		
0101	65118673	IGNITION ELECTRODE ELECTRODE ALLUMAGE		ZUNDELEKTRODE ELECTRODO DE ENCENDIDO		ELECTRODE ONTSTEKING ELETTRODO D'ACCENSIONE		1
0102	64980115	ELECTRODE (DETECTION) ELECTRODE IONISATION		UBERWACHUNGSELEKTRODE ELECTRODO DE DETECCION		ELECTRODE IONISATIE ELETTRODO DI RILEVAZIONE		1
0105	65118667	FLUE PROBE 10K D4X39 SONDE FUMÉE 10K D4X39		RAUCHSONDE 10K D4X39 SONDA DE HUMO 10K D4X39		ROOK SENSOR SONDA FUMI 10K D4X39		1
0110	65118694	INSULATION (BURNER DOOR) PANNEAU ISOLEMENT		ISOLIERUNGSPANEEL PANEL AISLANTE		PANNEAU ISOLEMENT PANNELLO ISOLANTE		1
0111	65118671	HEAT EXCHANGER 85/110C ECHANGEUR 85/110C		AUSTAUSCHER 85/110C INTERCAMBIADOR 85/110C		WARMTEWISSELAAR 85/110C SCAMBIATORE 85/110C		1
	65118715	HEAT EXCHANGER 120/150C ECHANGEUR 120/150C		AUSTAUSCHER 120/150C INTERCAMBIADOR 120/150C		WARMTEWISSELAAR 120/150C SCAMBIATORE 120/150C		1
0114	65116596	BURNER 24KW BRULEUR 24KW		BRENNER 24KW QUEMADOR 24KW		BRANDER 24 KW BRUCIATORE 24KW		1
	65116603	BURNER 30KW BRULEUR 30KW		BRENNER 30kW QUEMADOR 30kW		BRANDER 30kW BRUCIATORE 30kW		1
	65116604	BURNER 35KW BRULEUR 35KW		BRENNER 35KW QUEMADOR 35KW		BRANDER 35KW BRUCIATORE 35KW		1
0116	65118690	DOOR ASSY PORTE EQUIPEE		FRONTABDECKUNG KOMPLETT PUERTA EQUIPADA		DEUR COMPLEET SPORTELLO COMPLETO		1
0117	65117391	CONDENSATE TRAP SIPHON		SIPHON SIFON ANTICONDENSACION		SIFON SIFONE SCARICO CONDENSA		1
0123	64980289	AIR VENT PURGEUR D'AIR		LUFTABLASSVENTIL PURGADOR DE AIRE		ONTLUCHTINGSKLEP VALVOLA SFIATO ARIA		1
0129	65116047	PANEL (INSULATION - REAR) ISOLANT CERAMIQUE ARRIERE		ISOLATION WT HINTEN FIBRA CERAMICA POSTERIOR		KERAMISCHE ISOLATIE ACHTERPANEEL FIBRA CERAMICA POSTERIORE		1
0150	60000976	CONDENSATE DRAIN HOSE D:19 L:500 TUBE PVC D:19 L:500		SCHLAUCH PVC D:19 L:500 TUBO PVC D:19 LUNG:500		BUIS PVC D:19 L:750 TUBO PVC D:19 LUNG:500		1
0151	65118670	CONDENSATE COLLECTION PIPE TUBE FLEXIBLE		SCHLAUCH TUBO FLEXIBLE		BUIS FLEXIBEL TUBO FLESSIBILE		1
0152	65119326	Y CONNECTION + PIPES RACCORD Y + TUBES		KUPPELSTUCK Y +TUBE CONNECTION Y +TUBES		Y FITTING + PIJPEN RACCORDO Y + TUBI		1
0171	65116521	GASKET (BURNER) JOINT DE FORME		FORMDICHTUNG JUNTA		DICHTING GUARNIZIONE		1
0172	64980262	GASKET (ELECTRODE) JOINT ELECTRODE		DICHTUNG (ELEKTRODE) JUNTA (ELECTRODO)		DICHTING (ELEKTRODE) GUARNIZIONE ELETTRODO		1
0173	60000623	DOOR GASKET JOINT DE PORTE		TUERDICHTUNG JUNTA PUERTA		DICHTING SILICOON GUARNIZIONE PORTA		1
0178	61308091	O-RING 17.86X2.62 JOINT TORIQUE D: 17.86-2.62		O-RING D: 17.86X2.62 JUNTA TORICA D: 17.86-2.62		DICHTINGSRING D: 17.86-2.62 ANELLO OR D: 17.86-2.62		5
0180	65119323	SPARK GENERATOR TRANSFORMATEUR D'ALLUMAGE		ZUNDTAFO ENCENDEDOR		ONTSTEKINGSTRANSFORMATOR ACCENDITORE		1
0183	65119324	PLASTIC PIPE 2" CPVC L=5,5" TUBE EN PLAST.CPVC OT60MM L=5,5'		KUNSTSTOFFROHR CPVC OT60MM L=5,5" TUBO PLÁST.CPVC OT60MM L=5,5"		KUNSTSTOF BUIS CPVC OT60MM L = 5,5 " TRONCHETTO CPVC OT60MM L=5,5"		1
0190	65118686	O-RING 41.6X2.4 JOINT TORIQUE D: 41.6X2.4		O-RING D: 41.6X2.4 JUNTA TORICA D: 41.6X2.4		DICHTINGSRING D: 41.6X2.4 ANELLO OR 41.6X2.4		1
0201	65118645	GAS VALVE VALVE GAZ		GASVENTIL VALVULA GAS		GASBLOK VALVOLA GAS		1
0202	64980120	FAN VENTILATEUR		LAUFRAD HELICE VENTILADOR		VENTILATOR VENTILATORE		1
0210	60001923	GAS DIAPHRAGM D: 6.40 DIAPHRAGME GAZ D: 6.40		PLATTENVENTIL GAS D: 6.40 DIAFRAGMA GAS D: 6.40		DIAFRAGMA GAS D: 6.40 DIAFRAMMA GAS D: 6.40		1
	60001924	GAS DIAPHRAGM D: 6.90 DIAPHRAGME GAZ D: 6.90		PLATTENVENTIL GAS D: 6.90 DIAFRAGMA GAS D: 6.90		DIAFRAGMA GAS D: 6.90 DIAFRAMMA GAS D: 6.90		1
	65118689	GAS RESTRICTOR D: 5,5 DIAPHRAGME GAZ D: 5,5		PLATTENVENTIL GAS D: 5,5 DIAFRAGMA GAS D: 5,5		DIAFRAGMA GAS D: 5,5 DIAFRAMMA GAS D: 5,5		1
	65118713	GAS DIAPHRAGM D: 8,5 DIAPHRAGME GAZ D: 8,5		PLATTENVENTIL GAS D: 8,5 DIAFRAGMA GAS D: 8,5		DIAFRAGMA GAS D: 8,5 DIAFRAMMA GAS D: 8,5		1
	65118718	GAS RESTRICTOR D: 6 DIAPHRAGME GAZ D: 6		PLATTENVENTIL GAS D: 6 DIAFRAGMA GAS D: 6		DIAFRAGMA GAS D: 6 DIAFRAMMA GAS D: 6		1
0211	65118669	MIXER 085/85WBN NG MIXER 085/85WBN NG		MIXER 085/85WBN NG MIXER 085/85WBN NG		MIXER 085/85WBN NG MIXER 085/85WBN NG		1
	65118688-01	MIXER 085/85WBN LP MIXER 085/85WBN LP		MIXER 085/85WBN LP MIXER 085/85WBN LP		MIXER 085/85WBN LP MIXER 085/85WBN GPL		1
	65118712	MIXER 120-150C/120 WBN-WCN NG MIXER 120-150C/120 WBN-WCN NG		MIXER 120-150C/120 WBN-WCN NG MIXER 120-150C/120 WBN-WCN NG		MIXER 120-150C/120 WBN-WCN NG MIXER 120-150C/120 WBN-WCN NG		1
	65118717-01	MIXER 120-150C/120 WBN-WCN LP MIXER 120-150C/120 WBN-WCN LP		MIXER 120-150C/120 WBN-WCN LP MIXER 120-150C/120 WBN-WCN LP		MIXER 120-150C/120 WBN-WCN LP MIXER 120-150C/120 WBN-WCN GPL		1
	65118722	MIXER 110C120WCN NG MIXER 110C120WCN NG		MIXER 110C120WCN NG MIXER 110C120WCN NG		MIXER 110C120WCN NG MIXER 110C120WCN NG		1
	65118724-01	MIXER 85/120WCN LP MIXER 85/120WCN LP		MIXER 85/120WCN LP MIXER 85/120WCN LP		MIXER 85/120WCN LP MIXER 85/120WCN GPL		1

		EN		DE		NL		
		FR		ES		IT		
0213	65113062	SILENCER SILENCIEUX		SCHALLDAMPFE SILENCIADOR		SILENCER SILENZIATORE		1
0214	65118668	GAS PIPE TUBE GAZ		GASROHR TUBO ENTRATA GAS		GASBUIS TUBO GAS		1
	65118714	GAS PIPE TUBE GAZ		GASROHR TUBO ENTRATA GAS		GASBUIS TUBO GAS		1
0271	64980240	FAN GASKET JOINT VENTILATEUR		DICHTUNG, GEBLASE JUNTA VENTILADOR		DICHTING VENTILATOR GUARNIZIONE VENTILATORE		0
0282	60022835-01	SHEET GASKET D: 24-18.2-1.5 JOINT PLAT D: 24-18.2-1.5		ICHT.SCHEIBE D: 24-18.2-1.5 JUNTA PLANA D: 24-18.2-1.5		DICHTING VLAK D. 24-18.2-1.5 GUARNI. PIANA D: 24-18.2-1.5		10
0310	65119579	CASE COVER ASSY COUVERCLE CAISSON EQUIPE		ABDECK. BRENNERG. KOMPLETT TAPADERA CHASSIS SUPERIOR		ABDECK. BRENNERG. KOMPLETT COPERCHIO TELAIO		1
0312	65104295	FLUE TEST PORT PLUG BOUCHON DE PRISE FUMEE		STOPFEN ABGAS-U. ZULUFTMES.KUNST. TAPON TOMA HUMOS		STOP ROOKGASMEETNIPPELS TAPPO ANALISI FUMI + O-RING		1
0315	65119783	SPLASH PREVENTER PROTECTION PROJECTION EAU		SPRITZENVERHINDERER PROTECCION ROCIADURAS		BESCHERMING WATERTOEOVER PARASPRUZZI		1
0316	65118678	AIR PRESSURE SWITCH PRESSOSTAT AIR		LUFTWACHTER PRESOSTATO AIRE		DRUKSCHAKELAAR LUCHT PRESSOSTATO ARIA		1
0317	65119086	PIPE (CONDENSATE AIR PRESS.SWITCH) TUYAU COND.COMM.DE PRESSAIR		ROHR (KONDENSAT-LUFTDRUCKSCH.) TUBO COND.INTERRUPTPRES.AIRE		BUIS (LUCHTDRUKSCHAK.CONDENSATIE) TUBO CONDENSA PRESSOSTATO		1
0371	65118682	COLLAR GASKET JOINT COLLIER		DICHTUNG, BUND JUNTA ABRAZADERA		DICHTING KLEMRING GUARNIZIONE USCITA FUMI		1
0372	65118680	SUPPORT (AIR PRESSURE SWITCH) SUPPORT PRESSOSTAT D'AIR		LUFTDRUCKSCHALTER UNTERSTÜTZUNG SOPORTE PRESOSTATO DE AIRE		DRAAGSTEUN DRUKSCHAKELAAR SUPPORTO PRESSOSTATO ARIA		1
0373	64980288	SUPPORT (MIXER) SUPPORT (MIXEUR)		UNTERSTÜTZUNG (MISCHER) SOPORTE MEZCLADOR		ONDERSTEUNING (MIXER) SUPPORTO MIXER		1
0402	65118683	PRESSURE RELIEF VALVE SOUPAPE DE SECURITE		SICHERHEITSVENTIL VALVULA DE SEGURIDAD		VEILIGHEIDSGROEP VALVOLA DI SICUREZZA		1
0403	65119083	PIPE (PRESSURE RELIEF VALVE) TUBE SOUPAPE DE SECURITE		SICHERHEITSVENTILROHR TUBO VALVULA DE SEGURIDAD		BUIS VEILIGHEIDSKLEP TUBO VALVOLA DI SICUREZZA		1
0404	569387	GASKET 1 in JOINT 1 in		DICHTUNG 1 in KIT - JUNTA 1 in		AFDICHTING WATER/GAS 1 in GUARNIZIONE ACQUA-GAS 1 in		10
0405	65116520	SILICONE PIPE D:8 L:330 TUBE SILICONE D:8 L:330		SILIKONSCHLAUCH D:8 L:330 TUBO SILICONA D:8 L:330		SILICONESLANG D:8 L:330 TUBO SILICONE D:8 L:330		1
0415	65119081	SIDE PANELS LEFT + RIGHT PANNEAUX COTES DROIT + GAUCHE		VERKLEIDUNG LINKS/RECHTS PANELES DE LADOS DCHO+IZRDO		ZIJPANEEL RECHTS + LINKS PANNELLI LATERALI DX + SX		1
0417	64980084	CASE PANEL (FRONT) PANNEAU FRONTAL		VERKLEIDUNG VORNE PANEL FRONTAL		VOORPANEEL MANTELLO FRONTALE		1
0423	65119082	BOTTOM PANEL FOND 18-24 KW		PLATE WIRE BOX PLATE WIRE BOX		PLATE WIRE BOX FONDO 18-24 KW		1
0425	64980285	GAS ADAPTER (3/4" NPT)" RACCORD 3/4		ANSCHLUSS, 3/4 RACOR 3/4		VERBINDINGSSTUK 3/4" RACCORDO 3/4		1
0426	64980284	GASKET 3/4 in th. 3 NBR TEFLON-YELLOW JOINT EAU-GAZ 3/4 in ép.3 NBR		DICHTUNG 3/4 in Dicke 3 NBR GELB JUNTA 3/4 in esp. 3 NBR		AFDICHTING 3/4 in dikte 3 NBR GUARNIZIONE 3/4 in NBR sp.3 GIAL.		1
0501	65118664	FLOW GROUP GROUPE DEPART CHAUFFAGE		VORLAUFGRUPPE GRUPPO MANDATA		GROEP AANVOER VERWARMING GRUPPO MANDATA		1
	65118720	FLOW GROUP GROUPE DEPART CHAUFFAGE		VORLAUFGRUPPE GRUPPO MANDATA		GROEP AANVOER VERWARMING GRUPPO MANDATA		1
0507	65116537	SANITARY HEAT EXCHANGER (16 P.) ECHANGEUR SANITAIRE 16 PLAQUES		PLATTENWAERMETAUSCHER INTERCAMBIADOR SANITARIO 16		WARMTEWISSELAAR SANITAIR 16 PLATEN SCAMBIATORE SANITARIO 16		1
0514	65117089	BY-PASS VALVE BY-PASS		BY-PASS BY-PASS		BY-PASS BY-PASS		1
0519	60001365	INTERFACE 'SYSTEM +' OPEN INTERFACE 'SYSTEM +' NON BOUCHÉ		ADAPTER ZU SICHERHEITSVENTIL-ROHR INTERFAZ 'SYSTEM +' NO TAPADO		INTERFACE INTERFACCIA RISCALDAMENTO		1
0521	65119440	HYDRAULIC GROUP SUPPORT SUPPORT HYDRAULIQUE		GRUNDPLATTE HYDRAULIKBAUGRUPPE SOPORTE HIDRAULICO		HYDRAULIC SUPPORT BRACKET STAFFA SUPPORTO IDRAULICO		1
0551	64980083	PIPE (C.H. FLOW) 35KW TUBE DEPART CHAUFFAGE		VORLAUFROHR TUBO ENVÍO		BUIS VERTREK VERWARMING TUBO MANDATA		1
	64980292	PIPE (CH OUTLET) TUBE DEPART CHAUFFAGE		VORLAUFROHR TUBO ENVÍO		BUIS VERTREK VERWARMING TUBO MANDATA		1
0555	65104260	CLIP D:10 CLIP D10		SICHERHEITSSPLINT D10 CLIP D10		KLEM D10 CLIP D10		1
0556	61009834-14	O-RING 8.9X2.7 JOINT TORIQUE D: 8.9-2.7		RUNDDICHTRING D: 8.9-2.7 JUNTA TORICA D: 8.9-2.7		DICHTINGSRING D: 8.9-2.7 ANELLO OR D: 8.9-2.7		10
0557	65115935	PIPE (D.H.W.RETURN) TUBE RETOUR EAU SANITAIRE		WARMEAUSTAUSCHEREINGANGSROHR TUBO ENTRADA SANITARIA		BUIS (GEZONDHEID WATER RETOUR) TUBO RITORNO ACQUA CALDA		1
0558	65116210	BY-PASS PIPE TUBE BY-PASS		BYPASS-ROHR TUBO BY-PASS		BUIS BY-PASS TUBO BY-PASS		1
0562	65104259	CLIP D:18 CLIP D18		CLIP D18 CLIP D18		KLEM D18 CLIP D18		1
0563	65114932	CLIP D:12 CLIP D:12		CLIP D:12 CLIP D:12		KLEM D:12 CLIP D:12		5

☉	XXXXXXXX	EN	DE	NL	X
		FR	ES	IT	
0565	60000309	CLIP CLIP	CLIP CLIP	KLEM CLIP	1
0568	65114928	EXCHANGER GASKET JOINT ECHANGEUR	DICHTUNG WARMETAUSCHER JUNTA INTERCAMBIADOR	DICHTING WISSELAAR GUARNIZIONE SCAMBIATORE	5
0570	65114929	CH ADAPTER (3/4") RACCORD 3/4	ANSCHLUSS, 3/4 RACOR 3/4	VERBINDINGSSTUK 3/4" RACCORDO 3/4	1
0571	65114930	DHW ADAPTER (1/2") RACCORD 1/2	ANSCHLUSS, 1/2 RACOR 1/2	VERBINDINGSSTUK 1/2" RACCORDO 1/2	1
0576	990686-01	TEMPERATURE PROBE + CLIP SONDE NTC + CLIPS KIT	NTC-SONDE MIT CLIPS KIT SONDA NTC + CLIPS KIT	VOELER NTC + KLEM KIT SONDA NTC + CLIPS KIT	1
0582	61308091	O-RING 17.86X2.62 JOINT TORIQUE D: 17.86-2.62	O-RING D: 17.86X2.62 JUNTA TORICA D: 17.86-2.62	DICHTINGSRING D: 17.86-2.62 ANELLO OR D: 17.86-2.62	5
0585	65104262	O-RING 17.04X3.53 JOINT TORIQUE 3,53X17,04	O-RING 3,53X17,04 O-RING 3,53X17,04	DICHTINGSRING 3,53 X17,04 O-RING 3,53X17,04	10
0590	65114940	O-RING 11.91X2.62 JOINT TORIQUE D: 11.91-2.62	O-RING ID11,91X2,62 EPDM JUNTA TORICA D: 11.91-2.62	DICHTINGSRING D: 11.91-2.62 ANELLO OR D: 11.91-2.62	5
0601	65118665	RETURN GROUP GROUPE RETOUR (REMPL. MANUEL)	RUCKLAUFGRUPPE GRUPO RETORNO	GROEP TERUGVOER GRUPPO RITORNO	1
	65118721	RETURN GROUP GROUPE RETOUR	RUCKLAUFGRUPPE GRUPO RETORNO	GROEP TERUGVOER GRUPPO RITORNO	1
0602	65118663	LOW PRESSURE SWITCH DETECTEUR DE PRESSION	DRUCKWAECHTER PRESOSTATO DE MÍNIMA	DRUKSCHAKELAAR MINIMUM PRESSOSTATO DI MINIMA	1
0603	61307589	CLIP CLIP	CLIP CLIP	KLEM CLIP	1
0604	65118666	TACO PUMP HIGH EFFICIENCY POMPE TACO	PUMPE TACO BOMBA CIRCULADORA TACO	CIRCULATIEPOMP TACO POMPA ALTA EFFICIENZA	1
0605	65114936	MOTOR (3-WAY VALVE) MOTEUR VANNE 3 VOIES	3-WEGEVENTILMOTOR MOTOR DE VALVOLA DE TRES VIAS	MOTOR DRIEWEGKLEP MOTORE DI VALVOLA A 3 VIE	1
0606	65114921-01	SENSOR (REED) AMPOULE REED	REEDKONTAKT SENSOR (REED)	SENSOR (REED) SENSORE REED	1
0607	65114919	FLOW METER CAP CARTOUCHE DEBIMETRE BOUCHON	UMSCHALTER HEIZUNG/SANITAR STOPFEN OBTURADOR CALEFAC/SANIT TAPON	DEBIETMET FLOW SWITCH SANITAIR STOP TAPPO FLUSSOSTATO SANITARIO	1
0608	65114927	CLIP CLIP	CLIP CLIP	KLEM CLIP	1
0610	65114924	MOTOR + SPRING 3 WAY VALVE KIT KIT MOTEUR+CLAPET VANNE 3 VOIES	MOTOR VENTIL 3-WEGE KIT MOTOR+GRUPO 3 VÍAS DE VALV	MOTOR + KLEP - 3 WEGKLEP KIT MOTORE+OTTURAT VALV 3 VIE	1
0612	65114920	PLUG BOUCHON	STOPFEN TAPON	STOPPEN TAPPO	1
0614	65112086	AUTO AIR VENT TACO ENER+ DEGAZEUR - TACO ENER+	ENTLUEFTER - TACO ENER+ PURGADOR DE AIRE-TACO ENER+	ONTLUCHTINGSKLEP - TACO ENER+ VALVOLA SFOGO ARIA-TACO ENER+	1
0615	65114922	DRAIN COCK ROBINET EVACUATION INSTALLA.	ANLAGENAUSLAUFHAHN GRIFO DE VACIADO INSTALACION	LEEGLAATKRAAN RUBINETTO SVUOTAMENTO	1
0616	65114923	WATER FILTER FILTRE EAU	WASSERSIEB FILTRO DEL AGUA	WATERFILTER FILTRO ACQUA	1
0622	65117089	BY-PASS VALVE BY-PASS	BY-PASS BY-PASS	BY-PASS BY-PASS	1
0651	65116543	PIPE (C.H. RETURN) TUBE RETOUR CHAUFFAGE	RUCKLAUFROHR TUBO RETORNO INSTALACION	BUIS RETOUR VERWARMING TUBO RITORNO	1
0660	65114933	CLIP D:10 CLIP D:10	CLIP D:10 CLIP D:10	KLEM D:10 CLIP D:10	5
0664	65104322	CLIP CLIP	KLAMMER PUMPE CLIP	KLEM CLIP	1
0665	65114932	CLIP D:12 CLIP D:12	CLIP D:12 CLIP D:12	KLEM D:12 CLIP D:12	5
0666	60000309	CLIP CLIP	CLIP CLIP	KLEM CLIP	1
0667	65100680	CLIP D:6 CLIP D:6	CLIP D:6 CLIP D:6	KLEM D:6 CLIP D:6	1
0670	990686-01	TEMPERATURE PROBE + CLIP SONDE NTC + CLIPS KIT	NTC-SONDE MIT CLIPS KIT SONDA NTC + CLIPS KIT	VOELER NTC + KLEM KIT SONDA NTC + CLIPS KIT	1
0671	65114926	CLIP CLIP	CLIP CLIP	KLEM CLIP	1
0672	65114931	CLIP D:19 CLIP D=19	CLIP D=19 CLIP D=19	KLEM D=19 CLIP D=19	5
0681	65114937	O-RING 9.9X2.62 JOINT TORIQUE D: 9.9-2.62	NDDICHTRING D: 9.9-2.62 JUNTA TORICA D: 9.9-2.62	DICHTINGSRING D: 9.9-2.62 ANELLO OR D: 9.9-2.62	5
0682	65104262	O-RING 17.04X3.53 JOINT TORIQUE 3,53X17,04	O-RING 3,53X17,04 O-RING 3,53X17,04	DICHTINGSRING 3,53 X17,04 O-RING 3,53X17,04	10
0683	65114939	O-RING 23.47X2.62 JOINT TORIQUE D: 23.47-2.62	NDDICHTRING D: 23.47-2.62 JUNTA TORICA D: 23.47-2.62	DICHTINGSRING D: 23.47-2.62 ANELLO OR D: 23.47-2.62	5
0687	61009834-10	O-RING 5.7X1.9 JOINT TORIQUE D: 5.7-1.9	RUNDDICHTRING D: 5.7-1.9 JUNTA TORICA D: 5.7-1.9	DICHTING D: 5.7-1.9 ANELLO OR D: 5.7-1.9	10



		EN	DE	NL	
		FR	ES	IT	
0688	65104320	O-RING 21.89X2.62 JOINT TORIQUE 21.89X2.62	O - RING (21.89X2.62) O - RING (21.89X2.62)	DICHTINGSRING 21.89X2.62 O-RING 21,89X2,62	1
0689	65119580	PLUG BOUCHON	STOPFEN TAPON	STOPPEN TAPPO	1
0691	61308091	O-RING 17.86X2.62 JOINT TORIQUE D: 17.86-2.62	O-RING D: 17.86X2.62 JUNTA TORICA D: 17.86-2.62	DICHTINGSRING D: 17.86-2.62 ANELLO OR D: 17.86-2.62	5
0692	65114940	O-RING 11.91X2.62 JOINT TORIQUE D: 11.91-2.62	O-RING ID11,91X2,62 EPDM JUNTA TORICA D: 11.91-2.62	DICHTINGSRING D: 11.91-2.62 ANELLO OR D: 11.91-2.62	5
0693	65114938	O-RING 17.13X2.62 JOINT TORIQUE D: 17.13-2.62	NDICHTRING D: 17.13-2.62 JUNTA TORICA D: 17.13-2.62	DICHTINGSRING D: 17.13-2.62 ANELLO OR D: 17.13-2.62	5
0694	65114941	O-RING 15.88X2.62 JOINT TORIQUE D: 15.88-2.62	DICHTRING D: 15.88-2.62 JUNTA TORICA D: 15.88-2.62	DICHTINGSRING D: 15.88-2.62 ANELLO OR D: 15.88-2.62	5
0801	998382	GROMMET (PCD TOOL ACCESS) JOINT ENTREE REGULATION	GUMMIABDECKUNG POTENTIOMETER JUNTA	DICHTING GOMMINO ACCESSO REGOLAZIONE	5
0814	65118650	CONTROL PANEL BASE PORTE INSTRUMENTS	INSTRUMENTENHALTER FRONTAL	BEHUIZING BEDIENINGSPANEEL PORTASTRUMENTI	1
0815	64980224-01	P.C.B. (MAIN) CIRCUIT IMPRIME PRINCIPAL	ELEKTROHAUPTPLATINE CIRCUITO PRINCIPAL	PRINTKAART SCHEMA PRINCIPALE	1
0816	64980225-01	P.C.B. (DISPLAY) CIRCUIT IMPRIME D'AFFICHAGE	DISPLAYPLATINE CIRCUITO DISPLAY	PRINT DISPLAY SCHEMA DISPLAY	1
0819	65121202	WIRING (WI-FI BOARD) CABLAGE (CIRCUIT WIFI)	WIRING (WI-FI BOARD) WIRING (FLAT- 4 WIRES) WIFI EVO2	ELEKTRISCHE BEDRADING (PRINT WIFI) CABLAGGIO A NASTRO 4 FILI WIFI EVO2	1
0824	65118651	CONTROL PANEL COVER COUVERCLE ARRIERE TABLCOMM.	RUCKWARTIGER DECKEL, FRONTBLLENDE TAPA POSTER.PANEL DE MANDOS	HOUDER STUURPRINT COPERCHIO BOX	1
0825	65118685	PRESSURE/TEMPERATURE GAUGE MANOMETRE / THERMOMETRE	THERMOHYDROMETER TERMOMANOMETRO	MANOMETER - THERMOMETER TERMIDROMETRO	1
0842	65120444	CONTROL PANEL HINGE SUPPORT	TRAGER SOPORTE	SUPPORT SUPPORTO	1
0851	65119087	CONTROL PANEL TABLEAU DE COMMANDE	FRONTBLLENDE FRONTAL	BEDIENINGSPANEEL FRONTALINO	1
0880	60000746	DISPLAY WIRING - 5 WIRES BLUES CABLAGE AFFICHEUR - 5 FILS BLEUS	KABEL M.ST. DISPLAY 5P L230MM CABLEADO DISPLAY - 5 cables azules	BEDRADING DISPLAY CABLAGGIO DISPLAY - 5 CAVI AZZURRI	1
	65118652	GAS VALVE CABLE CABLAGE VANNE GAZ	KABEL ZUNDER CABLEADO VALVULA GAS	BEDRADING GASBLOK CABLAGGIO VALVOLA GAS	1
	65118653	CABLE (SPARK GENERATOR) CÂBLE (GÉNÉRATEUR D'ÉTINCELLES)	KABEL (ZUNDTrafo) CABLE (GENERADOR DE CHISPA)	KABEL (VONKENGULATOR) CABLAGGIO ACCENDITORE	1
	65118654	CABLE (DETECTION ELECTRODE) CABLAGE ELECTRODE IONISATION	IONISATIONSKABEL CABLE ELECTRODO DE DETECCION	CABLE (DETECTION ELECTRODE) CAVO ELETTRODO RILEVAZIONE	1
	65118655	CABLE (FAN-POWER SUPPLY) CABLE (ALIMENTATION DE VENTILAT.)	KABEL (VENTILATOR-STROMVERSORG.) CABLE DE ALIMENT.DE VENTILADOR	KABEL (FAN-VOEDING) CAVO ALIMENTAZIONE VENTILATORE	1
	65118656	CABLE (AIR PRESS.SWITCH AND PROBES) CÂBLE COMMUT.PRESS.D'AIR+SONDES	VERBINDUNG VENTILATOR CABLE INTER.DE PRES.DE AIRE Y SONDAS	BEDRADING (LUCHTDRIUKSCH.+VOELERS) CABLAGGIO PRESS.TO ARIA E SONDE	1
	65118657	3-WAY VALVE CABLE CABLAGE VANNE 3 VOIES	KABEL 3-WEGEVENTIL CABLEADO VALVULA DE TRES VIAS	BEDRADING DRIEWEG KLEP CABLAGGIO VALVOLA A 3 VIE	1
	65118658	CABLE (PWM) CABLAGE PWM	VERBINDUNG PWM CABLEADO PWM	CABLAGE PWM CABLAGGIO PWM	1
	65118659	WIRING (PUMP+JUN.BOX+MAIN BOARD) CABLE POMPE+JUN.BOX+CARTE EL.	ANSCH.KABEL PUMPE+JUN.BOX+ELEKTR.PL CABLE BOMBA+JUN.BOX+TARJETA EL.	BEDRADING POMP+JUN.BOX+EL.KARTE CAVO POMPA+JUN.BOX+SCHEDA PR.	1
	65118675	CABLE (POWER SUPPLY) CABLAGE D'ALIMENTATION	ANSCHLUSSKABEL CABLEADO ELECTRICO	BEDRADING ONTSTEKING CABLAGGIO ALIMENTAZIONE	1
	65118681	NTC CABLE CABLAGE NTC	NTC CABLE CABL. NTC	BEDRADING NTC CABLAGGIO NTC	1
	65118695	CABLE (PUMP 5M PWM TACO) CABLE POMPE 5M PWM TACO	VERKABELUNG PUMPE 5M PWM TACO CABLEADO BOMBA 5M PWM TACO	BEDRADING POMP 5M PWM TACO CAVO POMPA 5M PWM TACO	1
	65118719	3-WAY VALVE CABLE CABLAGE VANNE 3 VOIES	KABEL 3-WEGEVENTIL CABLEADO VALVULA DE TRES VIAS	BEDRADING DRIEWEG KLEP CABLAGGIO VALVOLA A 3 VIE	1
	65119085	CABLE (FUME PROBE-EXTENSION) CABLE D'EXT. SONDE D'ECHAPPEM.	ABGAS SONDE VERLÄNGERUNGSKABEL CABLE DE EXT.SONDA DE HUMO	VERLENGINGSKABEL ROOK SONDE CAVO PROLUNGA SONDA FUMI	1
0881	65111933	CONNECTOR 2P CONNECTEUR 2 POLES	STECKER 2 POL. RAST 5 CONECTOR 2P	STEKKER 2-POLIG CONNETTORE 2 POLI	5
0882	65119782	FUSE 5X20 RIT. 5 A 250V FUSIBLE 5X20 RIT. 5 A 250V	SICHERUNG 5X20 RIT. 5 A 250V FUSIBLE 5X20 RIT. 5 A 250V	ZEKERING 5X20 RIT. 5 A 250V FUSIBILE 5X20 RIT. 5 A 250V	1
0885	65118661	JUNCTION BOX BASE COUVERCLE FIXE (BOITE DE JONCT.)	FESTE ABDECKUNG (JUNKTIONSKASTEN) CUBIERTA FIJA (CAJA DE JUNTOS)	VASTE COVER (VERBINDINGSBOX) FONDO JUNCTION BOX	1
0886	65118662	JUNCTION BOX COVER COUVERCLE (BOITE DE JONCTION)	ABDECKUNG (JUNKTIONSKASTEN) CUBIERTA (CAJA DE JUNTOS)	DEKKING (JUNCTION BOX) COPERCHIO JUNCTION BOX	1
0888	65118660	P.C.B. (JUNCTION BOX) CIRCUIT CLIP-IN LOADS NA	LEITERPLATTE CLIP-IN LOADS NA CIRCUITO ELECTR.CLIP-IN LOADS NA	PRINTKAART (CLIP IN LOADS NA) SCHEMA CLIP-IN LOADS NA	1
0889	65120352-01	P.C.B. (WIFI-REM4) CIRCUIT IMPRIME REM 4	ELEKTROPLATINE (REM4) CIRCUITO REM4	PRINTKAART REM4 SCHEMA REM4	1
0910	60000625	WALL HOOK PLATINE SUPPORT MURAL	WANDHALTERPLATTE PLACA SOPORTE MURAL	WANDBEVESTIGING STAFFA D'AGGANCIO SUPERIORE	1

		EN		DE		NL		
		FR		ES		IT		
5001	64980063-01	HYDRAULIC KIT 150C & 120S HYDRAULIC KIT 150C & 120S		HYDRAULIC KIT 150C & 120S HYDRAULIC KIT 150C & 120S		HYDRAULIC KIT 150C & 120S KIT N.A. 150C & 120S		1
	64980064-01	HYDRAULIC KIT 110C-120C HYDRAULIC KIT 110C-120C		HYDRAULIC KIT 110C-120C HYDRAULIC KIT 110C-120C		HYDRAULIC KIT 110C-120C KIT N.A. 110C/120C		1
	64980065-01	HYDRAULIC KIT 85S HYDRAULIC KIT 85S		HYDRAULIC KIT 85S HYDRAULIC KIT 85S		HYDRAULIC KIT 85S KIT N.A. 85S		1
	65118687-01	LP CONVERSION KIT 85S EQT TRANSF. G31 85S		FLUSSIGGAS-UMSTELLSET G31 85S KIT TRANSFORMACION G31 85S		OMBOUWSET G31 85S TRASFORMAZIONE G31 85S		1
	65118716-01	LP CONVERSION KIT 150C & 110S EQT TRANSF. G31 40 KW		FLUSSIGGAS-UMSTELLSET G31 40 KW KIT TRANSFORMACION G31 40 KW		OMBOUWSET G31 40 KW TRASFORMAZIONE G31 40 KW		1
	65118723-01	LP CONVERSION KIT 120C EQT TRANSF. G31 30KW COMBI		F-GAS-UMSTELLSET G31 30KW COMBI KIT TRANSFORM.G31 30KW COMBI		OMBOUWSET G31 30KW COMBI TRASFORMAZIONE G31 30KW COMBI		1
5002	64980218	OUTDOOR SENSOR SONDE EXTERIEURE FILAIRE		AUSSENUEHLER SONDA EXTERNA CON CABLES		BUITENVOELER SONDA ESTERNA CON CAVI		1
5003	65118683	PRESSURE RELIEF VALVE SOUPAPE DE SECURITE		SICHERHEITSVENTIL VALVULA DE SEGURIDAD		VEILIGHEIDSGROEP VALVOLA DI SICUREZZA		1
5004	65119083	PIPE (PRESSURE RELIEF VALVE) TUBE SOUPAPE DE SECURITE		SICHERHEITSVENTILROHR TUBO VALVULA DE SEGURIDAD		BUIS VEILIGHEIDSKLEP TUBO VALVOLA DI SICUREZZA		1
5005	65119324	PLASTIC PIPE 2" CPVC L=5,5" TUBE EN PLAST.CPVC OT60MM L=5,5'		KUNSTSTOFFROHR CPVC OT60MM L=5,5" TUBO PLÁST.CPVC OT60MM L = 5,5 "		KUNSTSTOF BUIS CPVC OT60MM L = 5,5 " TRONCHETTO CPVC OT60MM L=5,5"		1
5006	64980066	SUPPORT (FRAME KIT HYD) SUPPORT (KIT CHASSIS HYD)		UNTERSTÜTZUNG (RAHMENKIT HYD) SOPORTE (KIT DE MONTURAHYD)		ONDERSTEUNING (CHASSIS KIT HYD) STAFFA SUPPORTO KIT HYD L=16in		1
5007	64980067	PIPE CLAMP 3/4 IN PINCE DE TUYAU 3/4 PO		ROHRKLEMME 3/4 IN ABRAZADERA DE TUBO 3/4 IN		PIJPKLEM 3/4 IN MORSETTO TUBO 3/4 IN		1
5008	64980068	PIPE CLAMP 1 IN PINCE DE TUYAU 3/4 PO		ROHRKLEMME 3/4 IN ABRAZADERA DE TUBO 3/4 IN		PIJPKLEM 3/4 IN MORSETTO TUBO 1 IN		1
5009	64980285	GAS ADAPTER (3/4" NPT) RACCORD 3/4		ANSCHLUSS, 3/4 RACOR 3/4		VERBINDINGSSTUK 3/4" RACCORDO 3/4		1
5010	65118685	PRESSURE/TEMPERATURE GAUGE MANOMETRE / THERMOMETRE		THERMOHYDROMETER TERMOMANOMETRO		MANOMETER - THERMOMETER TERMOIDROMETRO		1
5011	61007978	PLUG 1/2" BOUCHON 1/2		VERSCHLUSS 1/2Z TAPON 1/2"		BOUCHON 1/2" TAPPO 1/2in		1
5012	65115193	SEAL WASHER 3/4" EPDM 3MM JOINT 3/4" EPDM 3MM		WASSER/GAS-DICHTUNG 3/4Z EPDM 3MM JUNTA 3/4" EPDM 3MM		"AFDICHTING GAS-WATER 3/4"" EPDM 3MM" GUARNIZIONE 3/4in EPDM 3 MM		1
5013	65116896	SEAL WASHER 1/2" EPDM 3MM JOINT 1/2" EPDM 3MM		WASSER/GAS-DICHTUNG 1/2" EPDM 3MM JUNTA 1/2" EPDM 3MM		DICHTING WATER-GAS 1/2" EPDM 3MM GUARNIZIONE 1/2in EPDM 3 MM		1
5014	569387	GASKET 1 in JOINT 1 in		DICHTUNG 1 in KIT - JUNTA 1 in		AFDICHTING WATER/GAS 1 in GUARNIZIONE ACQUA-GAS 1 in		10
5015	64980284	GASKET 3/4 in th. 3 NBR TEFLON-YELLOW JOINT EAU-GAZ 3/4 in ép.3 NBR		DICHTUNG 3/4 in Dicke 3 NBR GELB JUNTA 3/4 in esp. 3 NBR		AFDICHTING 3/4 in dikte 3 NBR GUARNIZIONE 3/4 in NBR sp.3 GIAL.		1
5016	64980070	PIPE (C.H. FLOW) TUBE DEPART CHAUFFAGE		VORLAUFROHR TUBO ENVIO CIRCUITO		BUIS VERTREK VERWARMING TUBO RAME MAN RISC KIT HYD		1
5017	64980071	PIPE (C.H. RETURN) TUBE RETOUR CHAUFFAGE		RÜCKLAUFROHR TUBO RETORNO INSTALACION		BUIS RETOUR VERWARMING TUBO RAME RIT RISC KIT HYD		1
5018	64980069	HYDR.FITTING G1/2-G3/4+LIMIT14L HYDR.FITTING G1/2-G3/4+LIMIT14L		HYDRAULIC FITTING G1/2-G3/4+LIMIT14L HYDR.FITTING G1/2-G3/4+LIMIT14L		HYDRAULIC FITTING G1/2-G3/4+LIMIT14L NIPPLO G1/2-G3/4+FLOW.LIMIT.14L/MIN		1
5019	64980073	PIPE (COLD WATER INLET) - 3/4" TUBE ROBINET SANITAIR		WARMEAUSTAUSCHEREINGANGSROHR TUBO ENTRADA SANITARIA		BUIS KOUDWATERINGANG TUBO RAME ENT SANIT G3/4 KIT HYD		1
5020	64980072	PIPE (FLOW/RETURN-D.H.W) - 1/2 TUYAU REFOUL./RETOUR EAU SANIT.		ROHR (FLUSS-/RÜCKLAUF-HEISSWASSER) TUBO (FLUJO/RET.-AGUA CALIENTE)		OUTLET WELDED PIPE SANIT KIT HYD TUBO RAME ENT/USC SANIT KIT HYD		1
5021	65111933	CONNECTOR 2P CONNECTEUR 2 POLES		STECKER 2 POL. RAST 5 CONECTOR 2P		STEKKER 2-POLIG CONNETTORE 2 POLI		5
5023	65118684	KIT AIR VENT KIT AIR VENT		KIT AIR VENT KIT AIR VENT		KIT AIR VENT KIT PROTEZIONE SCARICO FUMI		1
5024	65116836	RIDUCTORS (KIT) LIMITEURS DE DEBIT KIT		TUELLESET REDUCTOR (KIT)		DEBIETBEGRENZER (KIT) LIMITATORI DI PORTATA (KIT)		1
5025	60000625	WALL HOOK PLATINE SUPPORT MURAL		WANDHALTERPLATTE PLACA SOPORTE MURAL		WANDBEVESTIGING STAFFA D'AGGANCIO SUPERIORE		1
5026	60000627	FIXING KIT KIT FIXATION		BEFESTIGUNGSSET KIT FIJACION		BEVESTIGINGSSET KIT DI FISSAGGIO		1





## LIST OF THE ABBREVIATIONS

HW .....	: Hot water.
CW .....	: Cold water.
C .....	: Ceramic resistance (normal heating).
Ca .....	: Ceramic resistance (accelerated heating)
TP .....	: Immersion heater.
1F .....	: With fittings.
2F .....	: Without fittings.
3F .....	: With fittings and another outlet connection.
AMI .....	: With mixing valve.
SMI .....	: Without mixing valve.
PUISS .....	: Power of th appliance.
PN .....	: Appliance with normal pression.
LP .....	: Appliance with low pression.
PV .....	: Appliance with variable power.
PF .....	: Appliance with fixed power.

## IDENTIFICATION PLATE

### SERIAL NUMBER

<b>10 Characters :</b>	04 05 125 011		
		Sequential number	
		Manufacturing day	
		Year of manufacture	
<b>11 Characters :</b>	1 95 065004 - 31		
Month of manufacture :		Technical number of the appliance	
from 1 to 9 → Jan. to Sep.,		Sequential number	
O → Oct., N → Nov.,		Year of manufacture	
D → Dec.			
<b>19 Characters :</b>	08 05 0013199 900640031		
Year of manufacture		Product reference	
Month of manufacture		Sequential number	
<b>20 Characters :</b>	3675007 XX 2 07 070 00315		
Product reference		Sequential number	
Millenium of manufacture		Manufacturing day	
		Year of manufacture	
<b>21 Characters :</b>	3675007 XX 07 070 0000315		
Product reference		Sequential number	
Year of manufacture		Manufacturing day	