

NaviClean™

Powered by ADEY™

Installation and servicing instructions

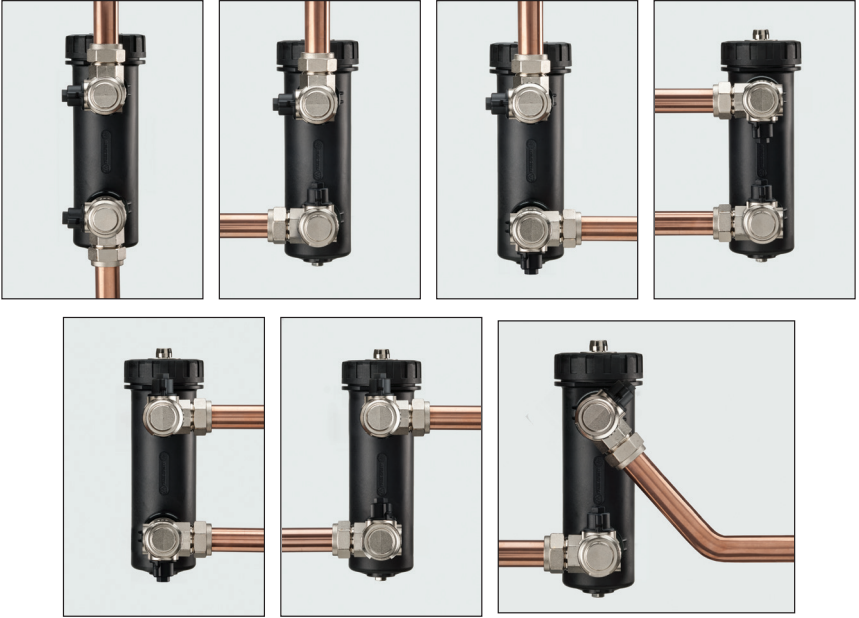


 **NAVIENT**

Multiple installation options

NaviClean's in-line design and 360° rotational valves provide multiple installation options for both vertical and horizontal pipework.

This ensures greater flexibility within the tightest working environments.



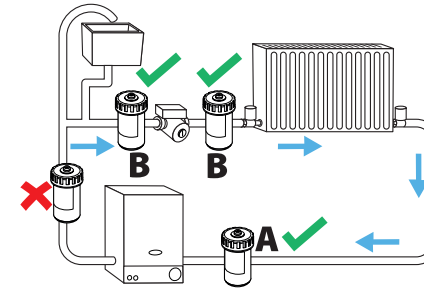
Installation

NaviClean™ has been developed by the industry leading and multi-award winning company that pioneered magnetic filtration. ADEY's filters protect over four million heating systems throughout Europe. They have been expertly designed to maximise the capture of magnetite. Engineered to actively trap virtually all circulating debris, it never stops delivering the very best protection.

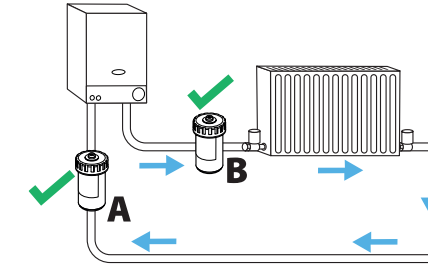
The x-treme performance dual-action filter can be installed anywhere on the main circuit. However, to achieve the best level of protection for the boiler or baseboard, it is recommended that *NaviClean* is installed after the last heating zone and before the boiler.

The following instructions are designed to support the professional installer in the safe and effective installation and servicing of *NaviClean* and should be followed at all times.

Compatible with the full line of ADEY water treatments for ultimate hydronic heating system protection, which can be found at local wholesale.



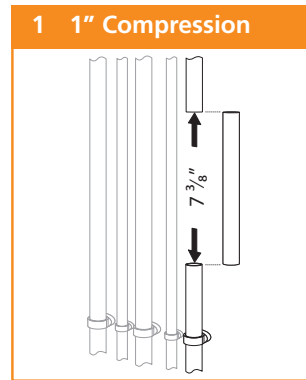
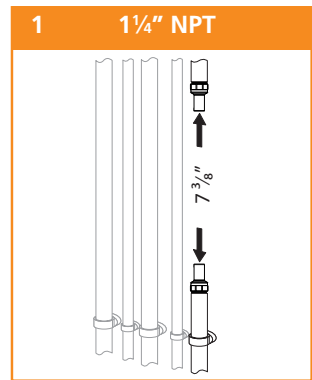
Open vented system



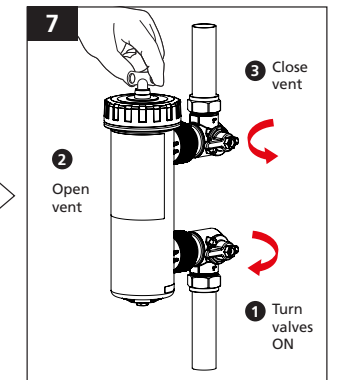
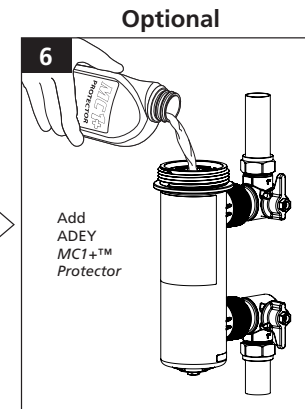
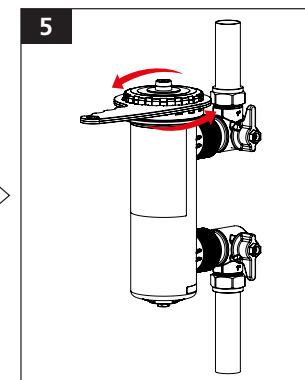
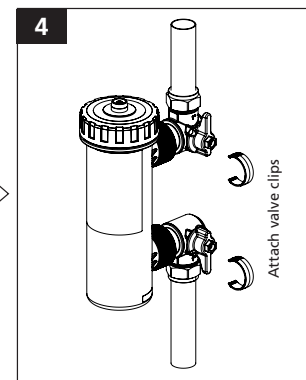
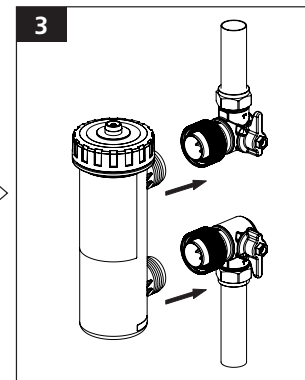
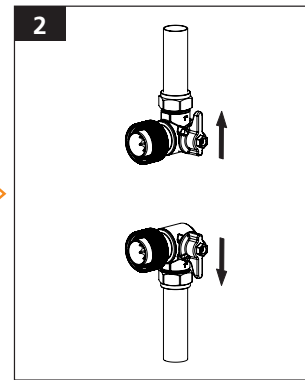
Closed loop system

In both diagrams, position A is best practice, while B is suitable.

Note: We firmly recommend that *NaviClean* is installed and serviced by a qualified professional.

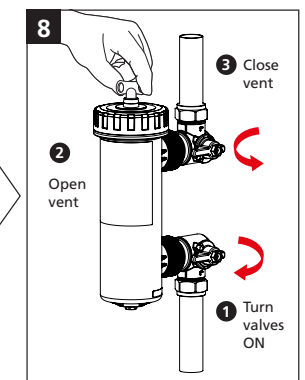
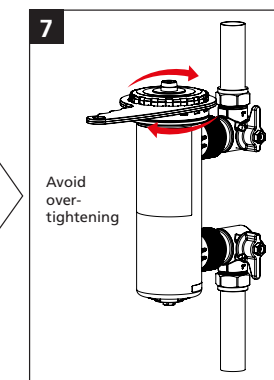
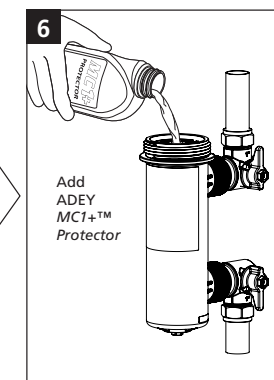
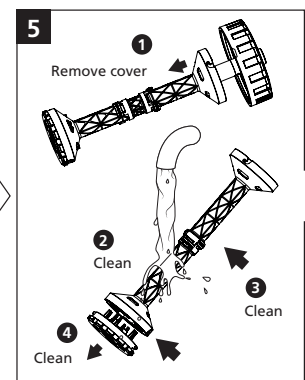
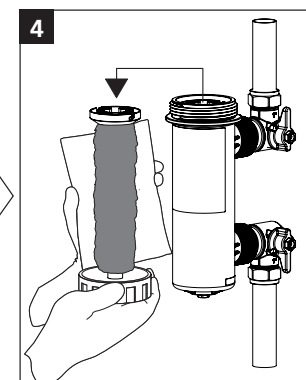
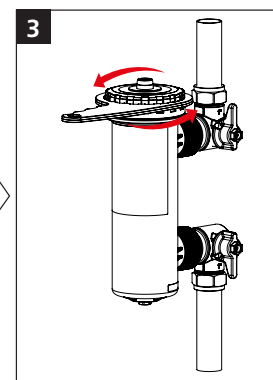
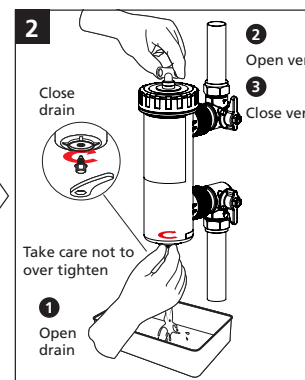
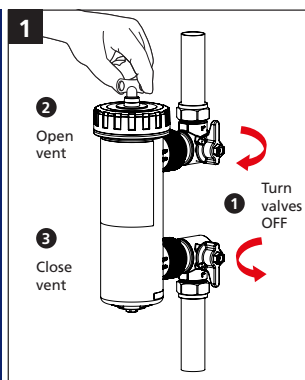


OR



Servicing

Your system is protected by
NaviClean™
 Powered by ADEY
 Annual service required
 NavienInc.com



Maximum working pressure: 87 psi

Maximum working temperature: 203°F

Flow rate: Recommended rate for optimum capture up to 21 gallons per minute

Connection: 1" copper compression for copper pipework with 1" FTG to 1¼" NPT female adapters for copper or black iron pipework

CAUTION:



NaviClean filter contains a strong magnet. Keep away from all electrical devices, bank cards and other magnetic devices.



NaviClean filter contains a strong magnet. Caution should be taken at all times when handling if you have a pacemaker fitted.



NaviClean filter is a pressurized device. Always release pressure before servicing.



Unit may be hot in operation. Handle with care.



WARNING:

Cancer and Reproductive Harm - www.P65Warnings.ca.gov



Toll free: 1.800.519.8794 | Phone: 949.420.0420 | 20 Goodyear, Irvine, CA 92618

NavienInc.com